



MACO TECH100 HOLD OPEN STAY 335mm

- 90 Degree break stay and restrictor for doors.
- Unique end snapper helps hold the door open.
- Available with a yellow chromate or stainless steel arm.
- Suitable for PVCu, Aluminium and Timber doors.
- Adjustable friction device.
- Suit all euro grooved profile systems.
- Fast and simple to fit.
- Non Handed
- Multiple screw ports.
- Universal striker plate.
- 335mm Long

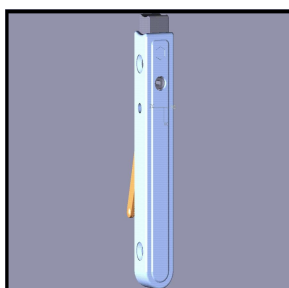
Tech 100 Stay 95100U Yellow Chrome Arm
Tech 100 Stay 95430U Stainless Steel Arm



TECH200 SLIMLINE RESTRICTOR STAY

- Available with a yellow chromate or stainless steel arm.
- Suitable for Timber & Composite doors.
- Adjustable friction device.
- Minimum 4mm air gap.
- Fast and simple to fit.
- Non Handed
- Multiple screw ports.
- Universal striker plate.
- 335mm Long

Tech 200 Stay Yellow Chrome Arm
Tech 200 Stay Stainless Steel Arm

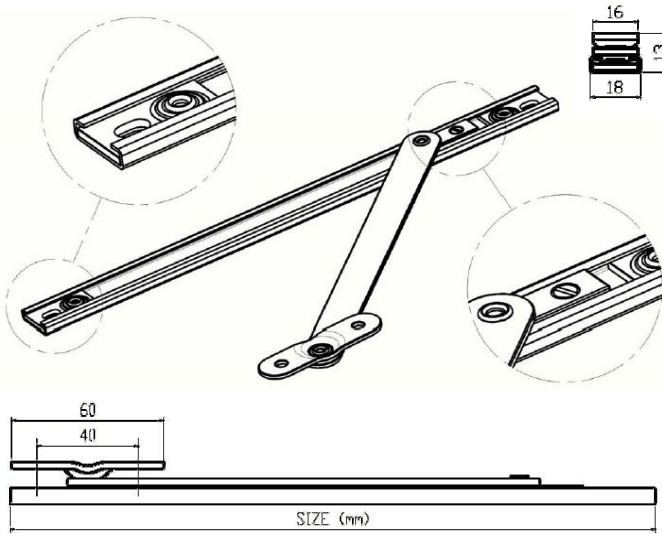


MACO MULTI-VENT TILT RESTRICTOR

The Maco Multi Vent is suitable for left and right handed applications. The strength of the resistance can be adjusted with the allen key supplied. Suitable for timber and PVC-u Systems. For angled profiles there are two spacer bars available 5 Degree & 15 Degree.

Finish

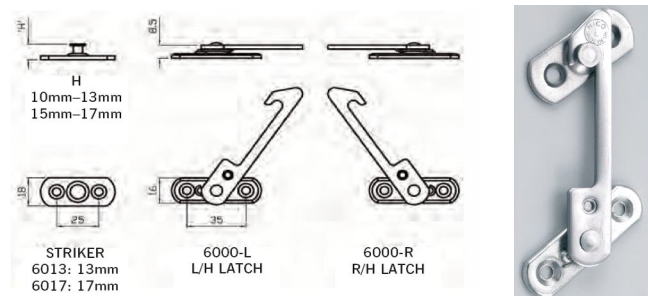
12361 - Brown
12360 - White



NICO RESTRICTOR ARM

- Robust construction– Suitable for both windows & doors.
- Fully adjustable friction.
- Reinforced fixing holes in channel section.
- Solid Stainless steel stops.
- Suits cavities of 13-20mm
- Fully tested.

Part Number	Size
7525	254mm
7535	350mm
7545	450mm



NICO RESTRICTOR CATCH

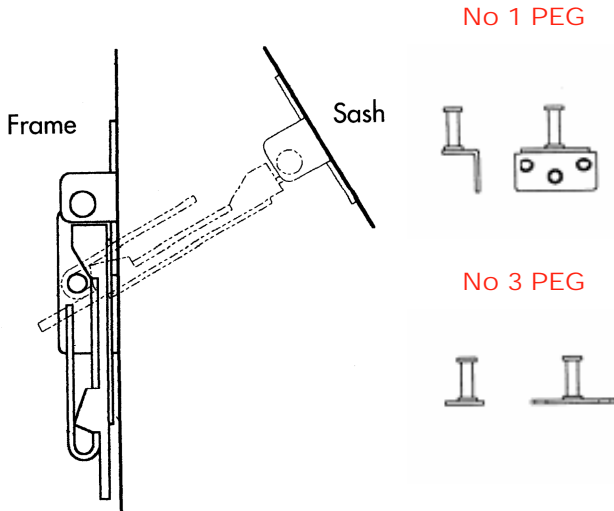
- Restricts opening to 100mm.
- Can be used with all Nico friction hinges.
- Easy to fit ,no routing.
- Tested to BS6375 part 2.
- High visibility, minimal maintenance.
- Suitable for Upvc, Timber & Aluminium profiles.

DESCRIPTION	PART NUMBER	BOXED QUANTITY
LH Restrictor Safety Catch	6000L	25
RH Restrictor Safety Catch	6000R	25
13mm Striker Pin Plate	6013	25
17mm Striker Pin Plate	6017	25

JACKLOC WINDOW RESTRICTOR



- For security & safety.
- Suitable for every type of opening window or door.
- Key lockable - for individual lock or multiples.
- Exceeds BS6375 part 2 Test 6
- Range of finishes available.



GRORUD SLIMSTOP RESTRICTOR

The Grorud Slim Stop is a restricting devices for use on side hung, top hung, tilt & turn and pivot windows
The Slim Stop has two main features

To prevent the unintentional opening of a sash beyond a pre-determined limit.

To hold a sash in a fixed position when opened.

The operations of the G7125 is automatic and has to be positively released to allow the sash to open fully. It is also difficult to release from the outside making the window more resistant to force entry.

The Slim Stop is suitable for use on timber, aluminium, steel or PVCu windows. It is manufactured from strong high quality maintenance free materials - stainless steel and glass reinforced nylon.

Finishes White, Brown & Silver

