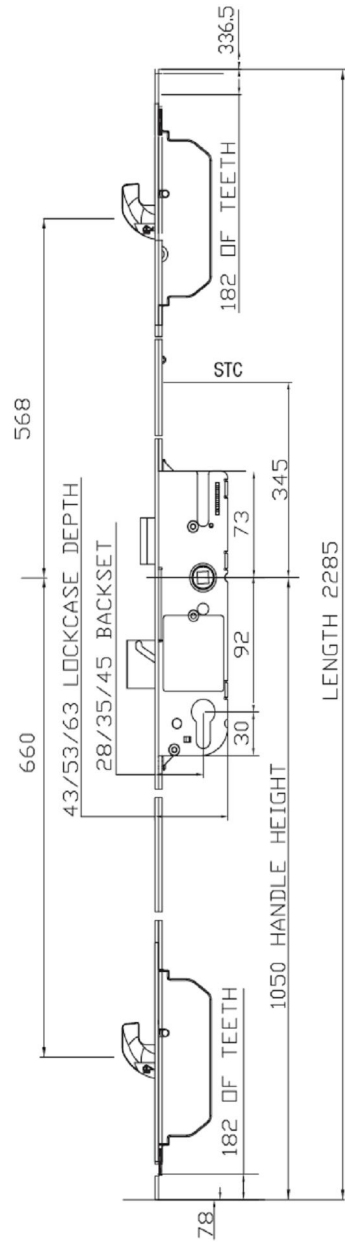


FERCO 3DB X DOOR BOLT

Forend : 16mm
 Spindle : 8mm
 Extendable : Yes
 Safe-T-Catch : Yes
 Operation : Standard

A high security lock offering a choice of backsets, plus the option of further extendibility.

PART NUMBER	BACKSET
6-32755-01-0-1	28mm
6-32754-01-0-1	35mm
6-32754-02-0-1	45mm
6-32754-03-0-1	55mm

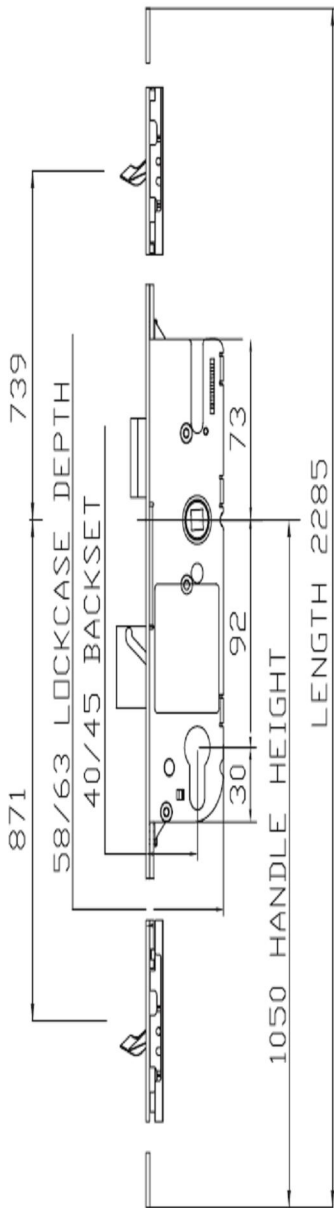


FERCO RHINO 2HOOK DOOR BOLT

Forend : 16mm
 Spindle : 8mm
 Extendable : Yes
 Safe-T-Catch : Yes
 Operation : Standard

Stable door feature : Yes
 The original Rhino lock, providing unrivalled security and weather sealing due to the unique design of the hook.

PART NUMBER	BACKSET
6-32487-01-0-1	28mm
6-32486-01-0-1	35mm
6-32486-02-0-1	45mm

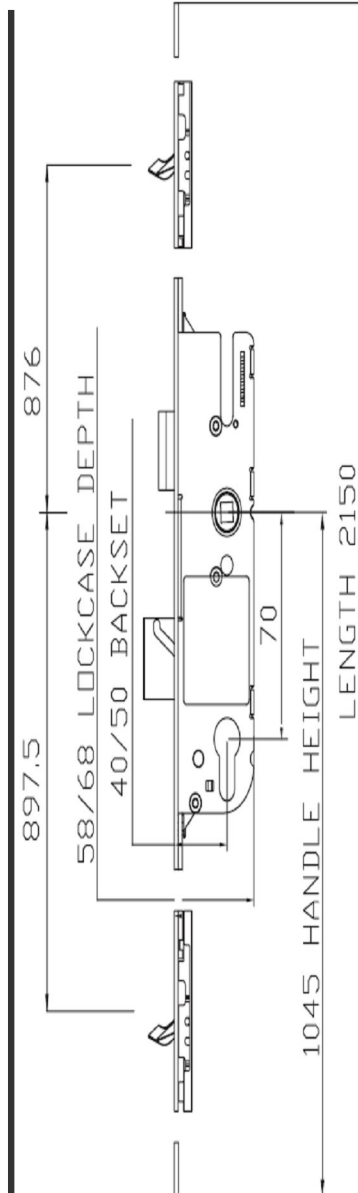


FERCO CLASSIC 2SH DOOR BOLT

Forend : 16mm
 Spindle : 8mm
 Extendable : No
 Safe-T-Catch : No
 Operation : Standard

A Traditional design, ideally suited to timber applications.

PART NUMBER	BACKSET
6-32480-04-0-1	40mm
6-32480-05-0-1	45mm



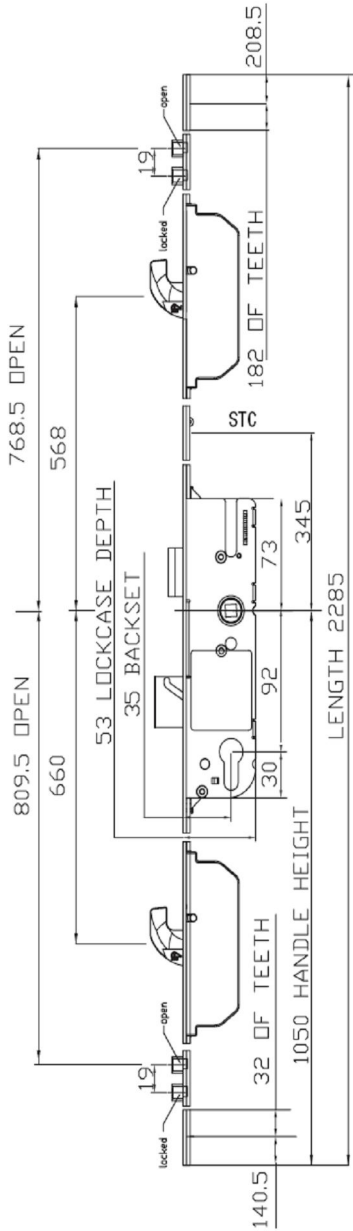
FERCO TRIPACT 2SH DOOR BOLT

Forend : 20mm
 Spindle : 7mm
 Extendable : No
 Safe-T-Catch : No
 Operation : Standard

Similar to the FercoFM Classic 2sh but with a 20m forend.

This lock provides greater flexibility of specification.

PART NUMBER	BACKSET
6-33524-04-0-1	40mm
6-33524-05-0-1	50mm

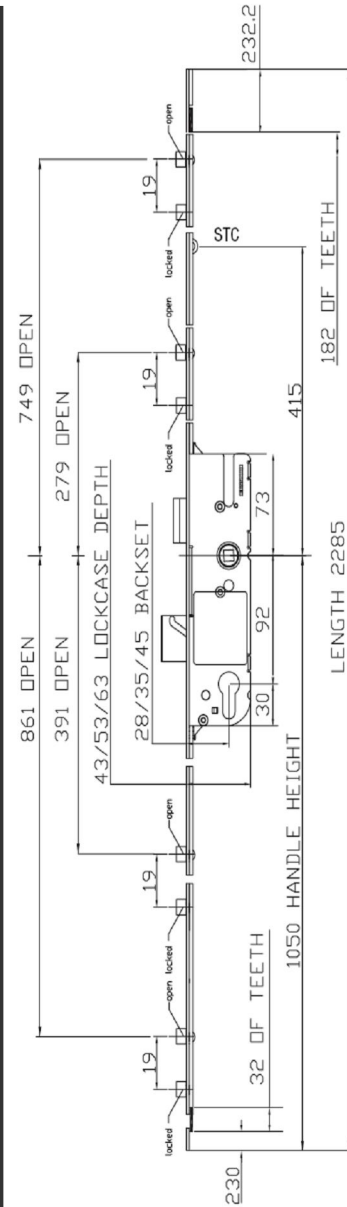


FERCO RHINO 2 H 2 R OUT-BOARD DOORBOLT

Forend : 16mm
 Spindle : 8mm
 Extendable : Yes
 Safe-T-Catch : Yes
 Operation : Standard
 Stable Door Feature : Yes
 The original Rhino lock, with rollers out-board to provide optimal weather performance on taller doors.

PART NUMBER
6-32602-02-0-1

BACKSET
35mm

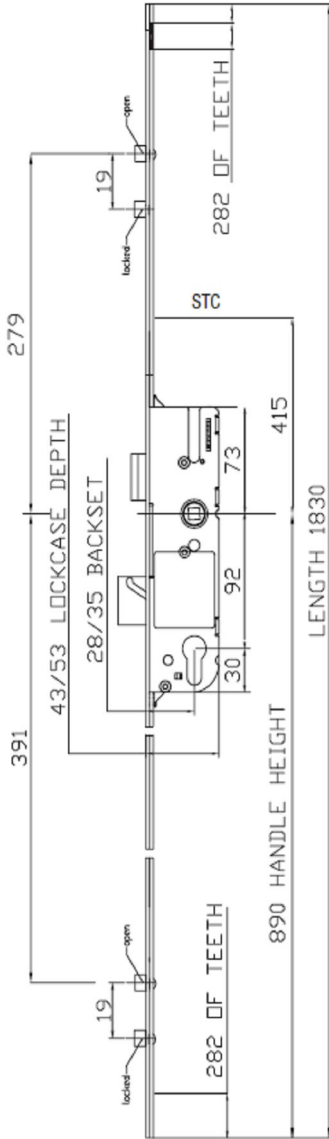


FERCO 4 ROLLER & DEADBOLT

Forend : 16mm
 Spindle : 8mm
 Extendable : Yes
 Safe-T-Catch : Yes
 Operation : Standard
 A lock that combines an economical solution with optimal weather sealing.

PART NUMBER
6-32581-01-0-1
6-32580-01-0-1
6-32580-02-0-1

BACKSET
28mm
35mm
45mm



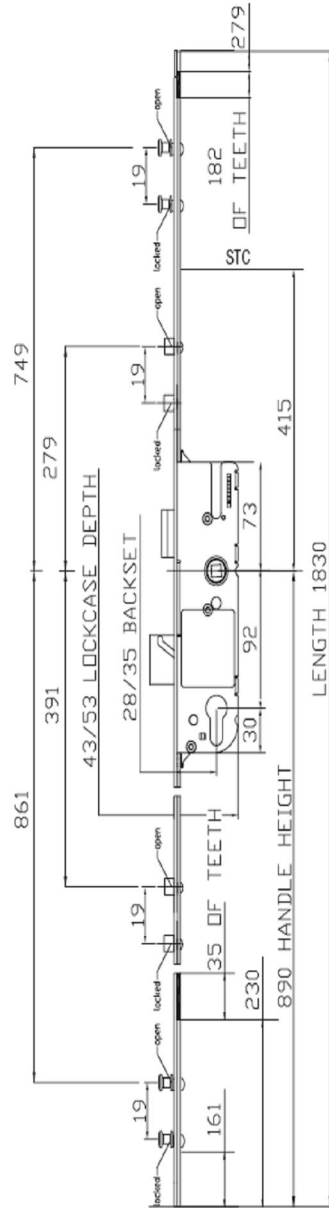
FERCO SECURY EUROPA R2 DOORBOLT

- Forend : 16mm
- Spindle : 8mm
- Extendable : Yes
- Safe-T-Catch : Yes
- Operation : Standard
- Stable Door Feature : Yes

A standard lock that has 2 rollers but can be further extended with shoot bolt extensions and is particularly useful for French door applications

PART NUMBER
 6-32687-01-0-1
 6-32686-01-0-1

BACKSET
 28mm
 35mm



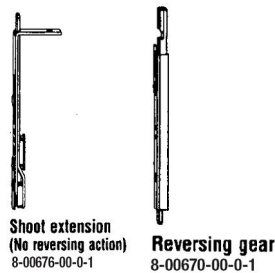
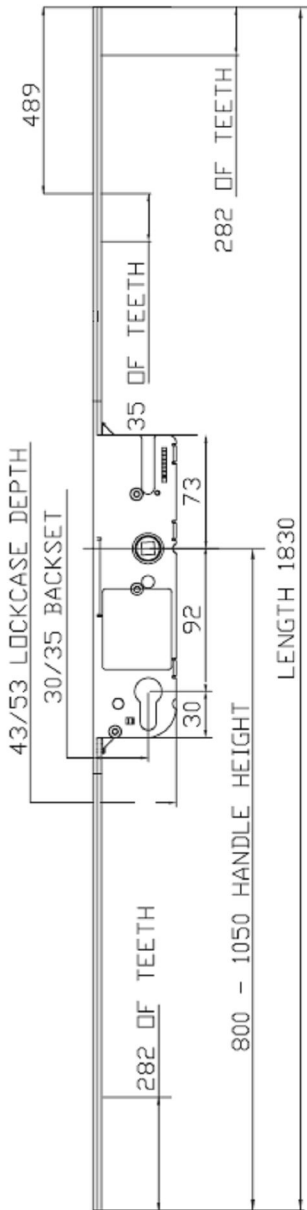
FERCO 2 R/2M LATCH & DEADBOLT DOORBOLT

- Forend : 16mm
- Spindle : 8mm
- Extendable : Yes
- Safe-T-Catch : Yes
- Operation : Standard

A lock that provides an economical solution whilst ensuring security that meets the minimum ABI security requirements with 2 mushroom locking points,

PART NUMBER
 6-32771-01-0-1
 6-32770-01-0-1

BACKSET
 28mm
 35mm



FERCO SL SLAVE LOCK

- Forend : 16mm
- Spindle : 8mm
- Extendable : No
- Safe-T-Catch : No
- Operation : Standard

A lock specifically designed for the slave leaf of French doors to sit behind the false mullion. Designed for use in conjunction with top and bottom shootbolts. Extensions and reversing gear.

PART NUMBER	BACKSET
6-32571-01-0-1	30mm
6-32570-01-0-1	35mm



TIMBER CENTRE KEEPER

E-13338-00-0-1



TIMBER Claw Deadbolt Keep

E-11413-00-0-1

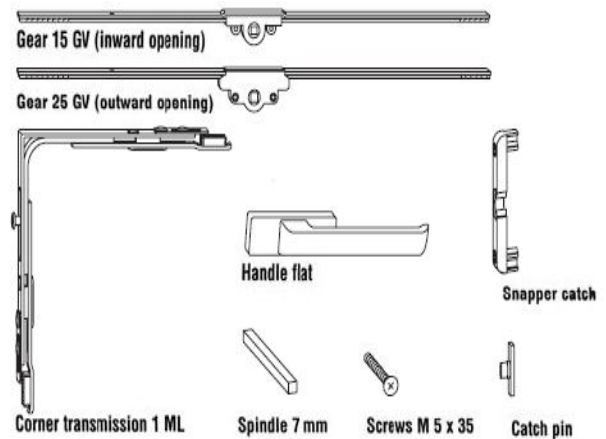
Other Keepers to suit PVC-u and Timber on Request

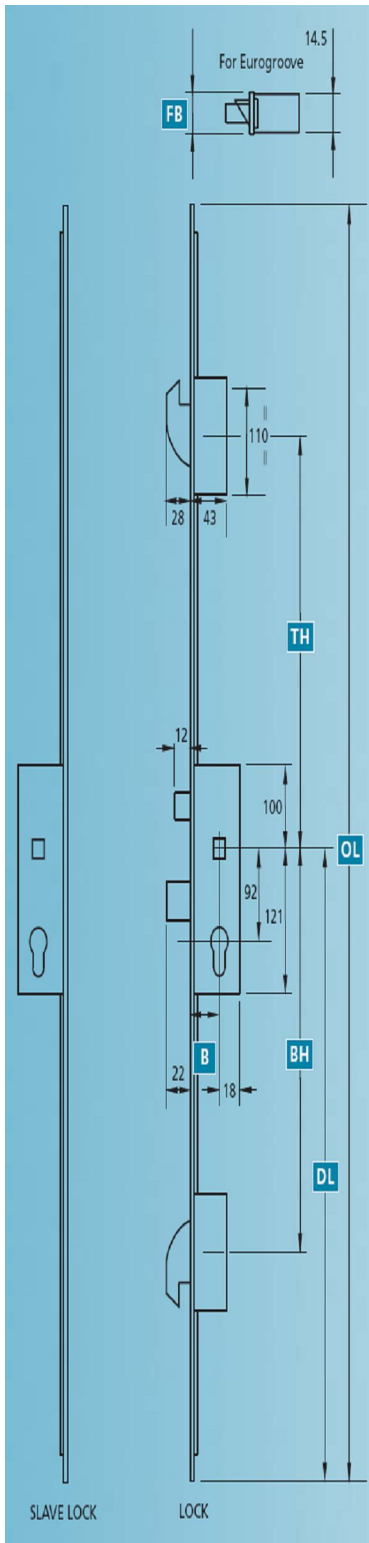
G-U STABLE DOOR LOCK



Stable Door Lock Using G-U Rhino 2hook Door Lock. Plus Tilt & Turn Drive Gear

- Forend : 16mm
- Spindle : 8mm
- Extendable : Yes
- Safe-T-Catch : Yes
- Operation : Standard





KEY	
B	Backset
DL	Datum Line
OL	Overall Length
FB	Face Bar



ERA FRENCH DOOR LOCKING SYSTEM

- 10 Year Guarantee.
- Available as 45mm Backset.
- Non-handed lock mechanism with reversible sash bolt to minimise stock requirements.
- Snib facility as standard on all locks
- Central brass deadbolt throws 22mm to prevent unauthorised entry.
- Accepts standard 92mm unsprung handles and euro profile cylinders (operates with all BS and DIN specification cylinders and most other types of cylinder)
- Split spindle for lever/pad applications choice of length available
- Bi-directional throw of locking features enhanced anti jemmy feature
- Slave lock accepts master deadbolt and sashbolt.
- Slave lock cannot be activated whilst lock is engaged.
- Twin high security forged brass hooks for anti-separation resistance 10mm (maximum) engage into slave lock.
- Hooks deadlocked in the fully thrown position.
- Full range of keeps available.
- Optional shoot bolt engagement for additional security.

OPTION 1 (MASTER LOCK)

B	DL	OL	TH	BH	FB	Part No.
45	1050	1946	376	495	16	7145-1134-79

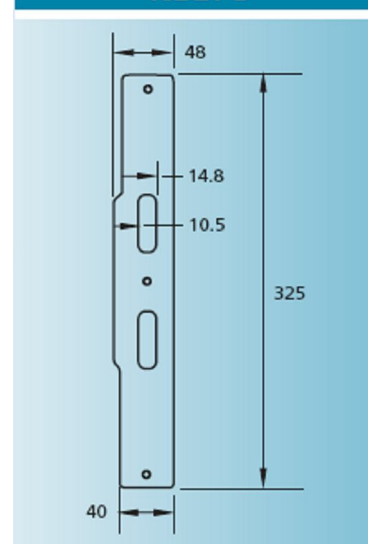
OPTION 2 (SLAVE LOCK)

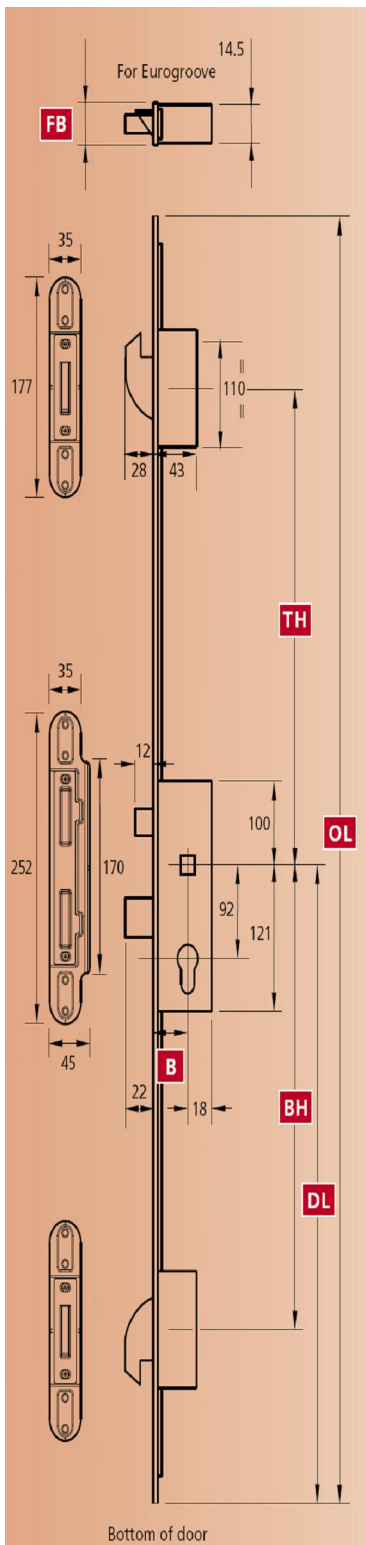
B	DL	OL	TH	BH	FB	Part No.
45	1050	1946	376	495	16	7545-1135-79

Description	Finish	Part No.
Double shoot bolt keep	Rogard	5404-85
Non-Adjustable Center Keep	Rogard	2743-77

Shoot bolt: Part No. 5650-79

KEEPS





KEY

B Backset	TH Top Hook
DL Datum Line	BH Bottom Hook
OL Overall Length	FB Face Bar



SHOOT BOLT (OPTIONAL)



ERA 2HOOK DOOR LOCK

- Designed to meet the requirements of PAS23 and PAS24.
- Licensed by Secured by design.
- 10 Year Guarantee.
- Available as 28mm, 30mm, 35mm and 45mm Backset with 16mm & 20mm faceplate.
- Non-handed lock mechanism with reversible sash bolt to minimise stock requirements.
- Snib facility as standard on all locks
- Central brass deadbolt throws 22mm to prevent unauthorised entry.
- Accepts standard 92mm unsprung handles and euro profile cylinders (operates with all BS and DIN specification cylinders and most other types of cylinder)
- Split spindle for lever/pad applications choice of length available
- Bi-directional throw of locking features enhanced anti jemmy feature
- Continuous keep available.
- Single and French door Slave lock Unit available.
- Twin high security forged brass hooks for anti-separation resistance 10mm (maximum) engagement into keeps.
- Hooks deadlocked in the fully thrown position.
- Full range of keeps available.
- Optional shoot bolt engagement for additional security.
- Single and French door Slave lock Unit available.

OPTION 1

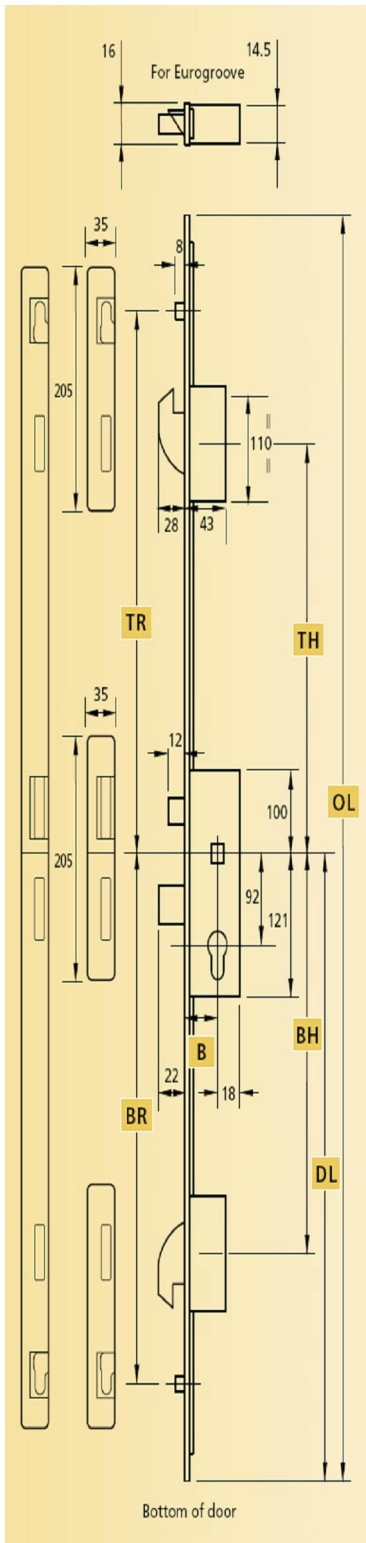
B	FB	DL	OL	TH	BH	Part No.
28	16	1050	2250	570	662	6928-00-85AA
30	"	"	"	"	"	6930-00-85AA
35	"	"	"	"	"	6935-00-85AA
45	"	"	"	"	"	6945-00-85AA

OPTION 2

B	FB	DL	OL	TH	BH	Part No.
35	16	1050	2250	750	740	6935-00-85LA
45	"	"	"	"	"	6945-00-85LA
35	20	1050	2250	750	740	6935-80-85LA
45	"	"	"	"	"	6945-80-85LA

OPTION 3

B	FB	DL	OL	TH	BH	Part No.
35	16	1050	2100	680	700	6935-00-85MA
45	"	"	"	"	"	6945-00-85MA
35	20	1050	2100	680	700	6935-80-85MA
45	"	"	"	"	"	6945-80-85MA



KEY

B Backset	TR Top Roller
DL Datum Line	BH Bottom Hook
OL Overall Length	BR Bottom Roller
TH Top Hook	

ERA 2HOOK 2 ROLLER DOOR LOCK

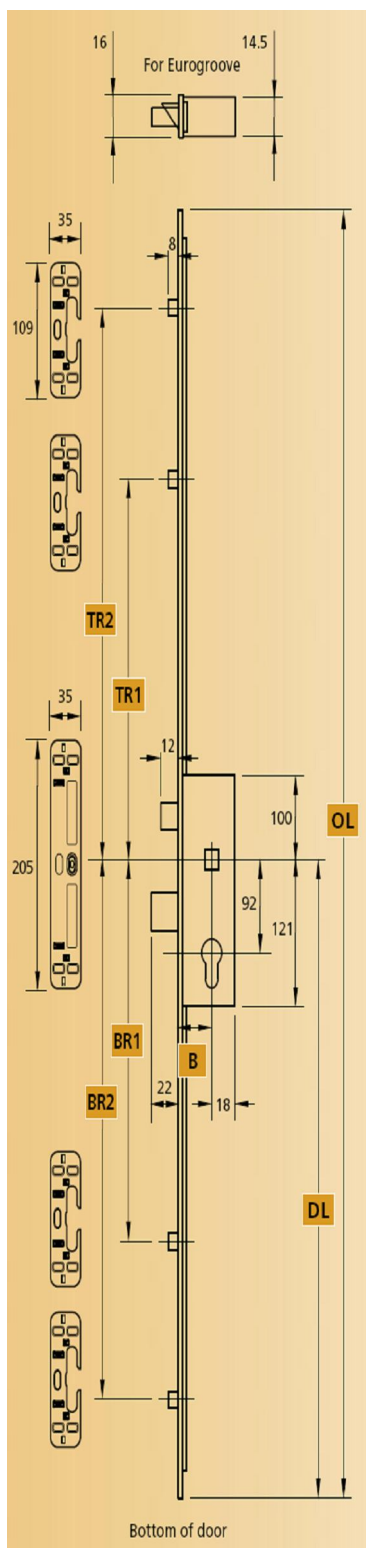
- Designed to meet the requirements of PAS23 and PAS24.
- Licensed by Secured by design.
- 10 Year Guarantee.
- Available as 28mm, 30mm, 35mm and 45mm Backset with 16mm faceplate.
- Non-handed lock mechanism with reversible sash bolt to minimise stock requirements.
- Snib facility as standard on all locks
- Central brass deadbolt throws 22mm to prevent unauthorised entry.
- Accepts standard 92mm unsprung handles and euro profile cylinders (operates with all BS and DIN specification cylinders and most other types of cylinder)
- Split spindle for lever/pad applications choice of length available
- Bi-directional throw of locking features enhanced anti jemmy feature
- Continuous keep available.
- Single and French door Slave lock Unit available.
- Twin high security forged brass hooks for anti-separation resistance 10mm (maximum) engage into slave lock.
- Hooks deadlocked in the fully thrown position.
- Full range of keeps available.
- Optional shoot bolt engagement for additional security.

OPTION 1

B	DL	OL	TH	TR	BH	BR	Part No.
28	1050	2250	615	715	615	715	6728-00-85AA
30	"	"	"	"	"	"	6730-00-85AA
35	"	"	"	"	"	"	6735-00-85AA
45	"	"	"	"	"	"	6745-00-85AA

OPTION 2

B	DL	OL	TH	TR	BH	BR	Part No.
28	1050	2250	735	835	755	855	6728-00-85BA
30	"	"	"	"	"	"	6730-00-85BA
35	"	"	"	"	"	"	6735-00-85BA
45	"	"	"	"	"	"	6745-00-85BA



KEY

B Backset	TR2 Top Roller 2
DL Datum Line	BR1 Bottom Roller 1
OL Overall Length	BR2 Bottom Roller 2
TR1 Top Roller 1	



ERA 4 ROLLER DOOR LOCK

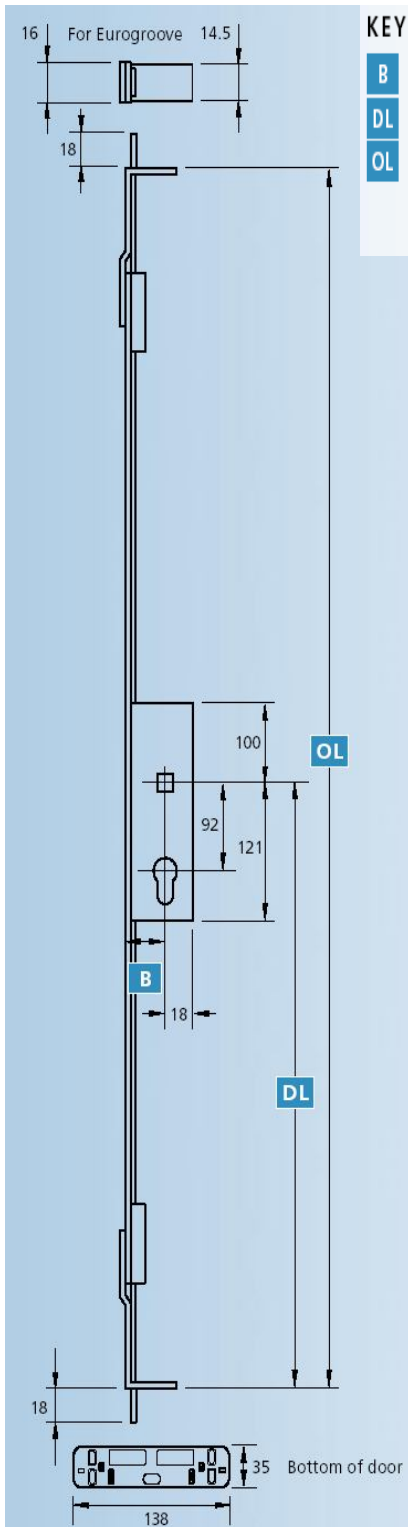
- 10 Year Guarantee.
- Available as 28mm, 30mm, 35mm and 45mm Backset with 16mm faceplate.
- Non-handed lock mechanism with reversible sash bolt to minimise stock requirements.
- Snib facility as standard on all locks
- Central brass deadbolt throws 22mm to prevent unauthorised entry.
- Accepts standard 92mm unsprung handles and euro profile cylinders (operates with all BS and DIN specification cylinders and most other types of cylinder)
- Split spindle for lever/pad applications choice of length available
- Bi-directional throw of locking features.
- Precision adjustable roller for enhanced performance and weather sealing.
- Patented steel keeps with adjustable centre keep offering +/- 2.0mm.
- Optional shoot bolt engagement for additional security.
- Single and French door slave lock unit application.
- Full range of keeps available.

OPTION 1

B	DL	OL	TR1	TR2	BR1	BR2	Part No.
28	1050	2250	260	730	410	880	6028-00-85AA
30	"	"	"	"	"	"	6030-00-85AA
35	"	"	"	"	"	"	6035-00-85AA
45	"	"	"	"	"	"	6045-00-85AA

OPTION 2

B	DL	OL	TR1	TR2	BR1	BR2	Part No.
28	1050	2250	350	705	425	780	6028-00-85BA
30	"	"	"	"	"	"	6030-00-85BA
35	"	"	"	"	"	"	6035-00-85BA
45	"	"	"	"	"	"	6045-00-85BA



KEY

- B** Backset
- DL** Datum Line
- OL** Overall Length - including shoot bolts
Maximum length illustrated.
Bars can be shortened by maximum 130mm
top and bottom.



ERA SLAVE DOOR LOCK

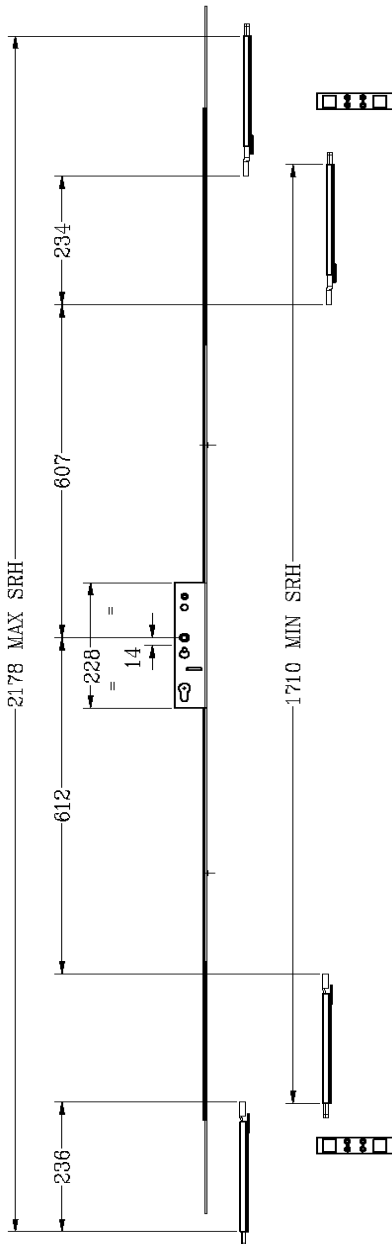
- 10 Year Guarantee.
- Available as 35mm and 45mm Backset with 16mm faceplate.
- Non-handed lock mechanism with reversible sash bolt to minimise stock requirements.
- Snib facility as standard on all locks
- Central brass deadbolt throws 22mm to prevent unauthorised entry.
- Accepts standard 92mm unsprung handles and euro profile cylinders (operates with all BS and DIN specification cylinders and most other types of cylinder)
- Split spindle for lever/pad applications choice of length available
- Bi-directional throw of locking features.
- Precision adjustable roller for enhanced performance and weather sealing.
- Patented steel keeps with adjustable centre keep offering +/- 2.0mm.
- Optional shoot bolt engagement for additional security.
- Single and French door slave lock unit application.
- Full range of keeps available.

LOCKING MECHANISM

B	DL	OL	Part No.
35	1050	2120	6535-00-85AA
45	"	"	6545-00-85AA

SHOOT BOLT & KEEP (SOLD SEPARATELY)

Description	Part No.
Hi-Security Shoot Bolt	5650-85
Corner Shoot Keep	5302-85
Single Shoot Keep	5303-85
Double Shoot Keep	5304-85



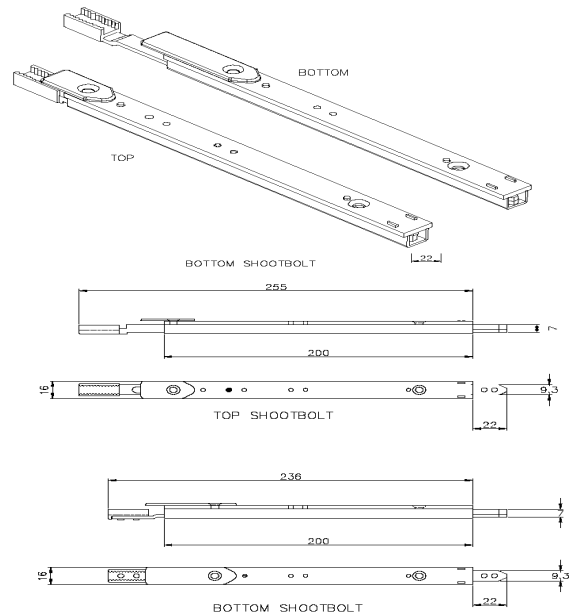
LOCKMASTER PLSP30 SPRUNG SLAVE LOCK FOR FRENCH DOORS

- Forend : 16mm
- Centres : 92mm
- Backset : 35mm
- Spindle : 8mm
- Extendable : Yes
- Operation : Standard (Lift Lever)

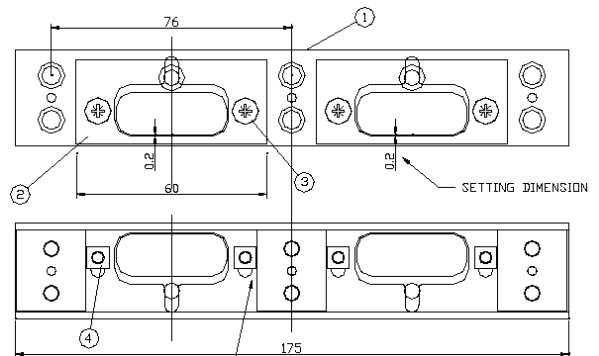
Keepers

- PLK31 Single Adjustable Keeper
- PLK32 Double Adjustable Keeper

LOCKMASTER SHOOTBOLT SET PLSB44



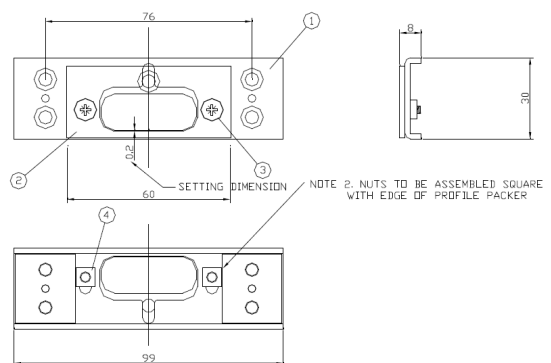
LOCKMASTER DOUBLE KEEP PLK32

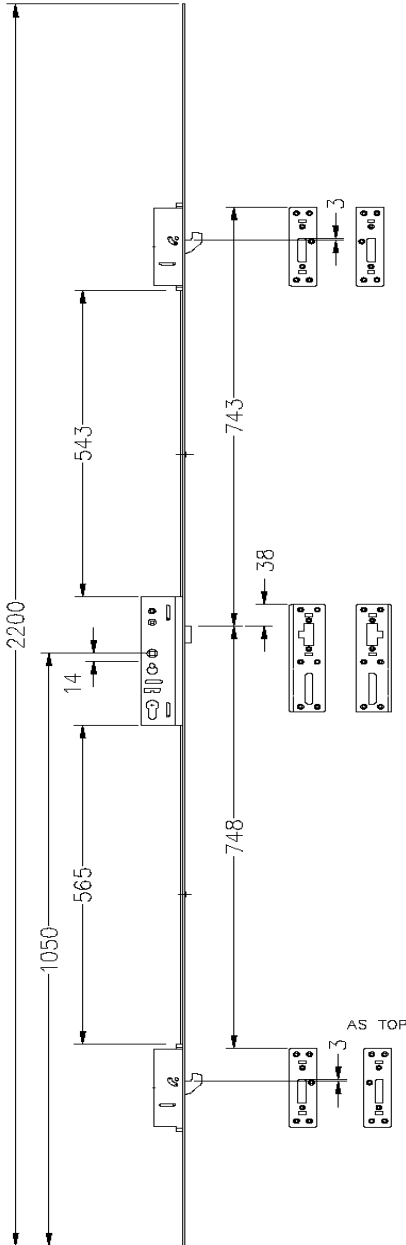


NOTE 2. NUTS TO BE ASSEMBLED SQUARE WITH EDGE OF PROFILE PACKER

Note Standard Paddock Packer Required to fit as required- QTY 3

LOCKMASTER SHOOTBOLT KEEP PLK31



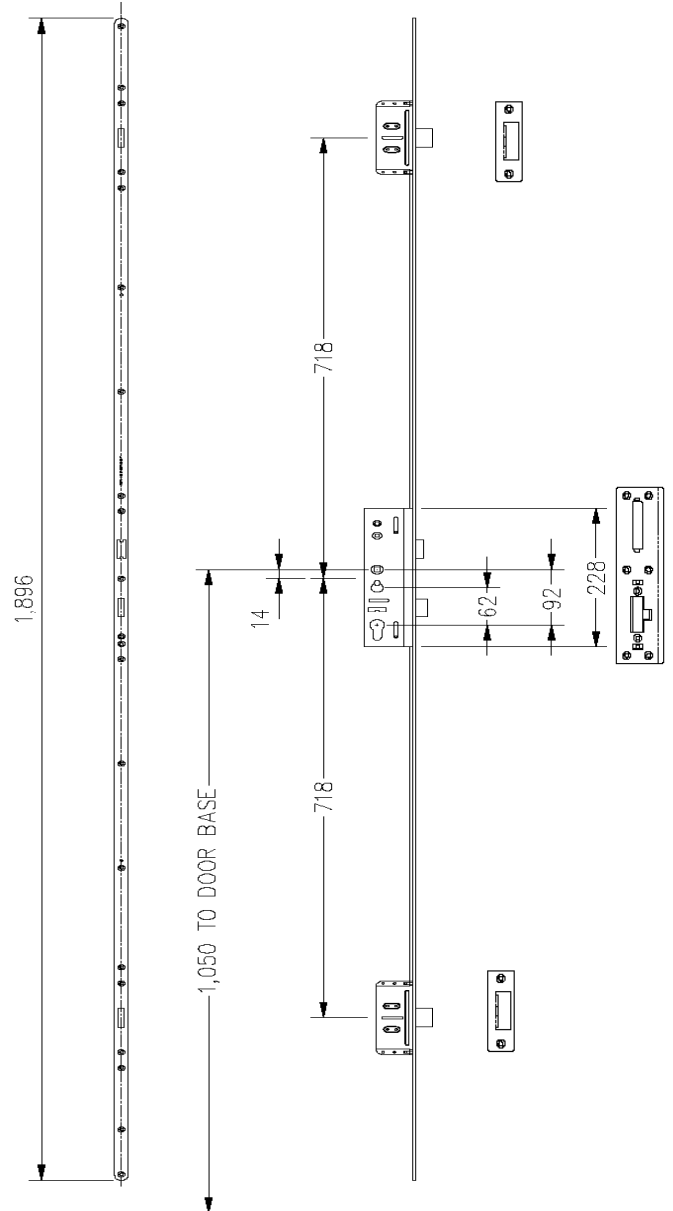


LOCKMASTER
PLSP18/45 2Hook Timber Door Lock

Forend : 16mm
 Centres : 92mm
 Backset : 45mm
 Spindle : 8mm
 Extendable : No
 Operation : Standard (Lift Lever)

A lock specifically designed for the Timber doors .2 Hooks for security.

KEEPERS
PLK309 LH Adjustable Keepset
PLK310 RH Adjustable Keepset

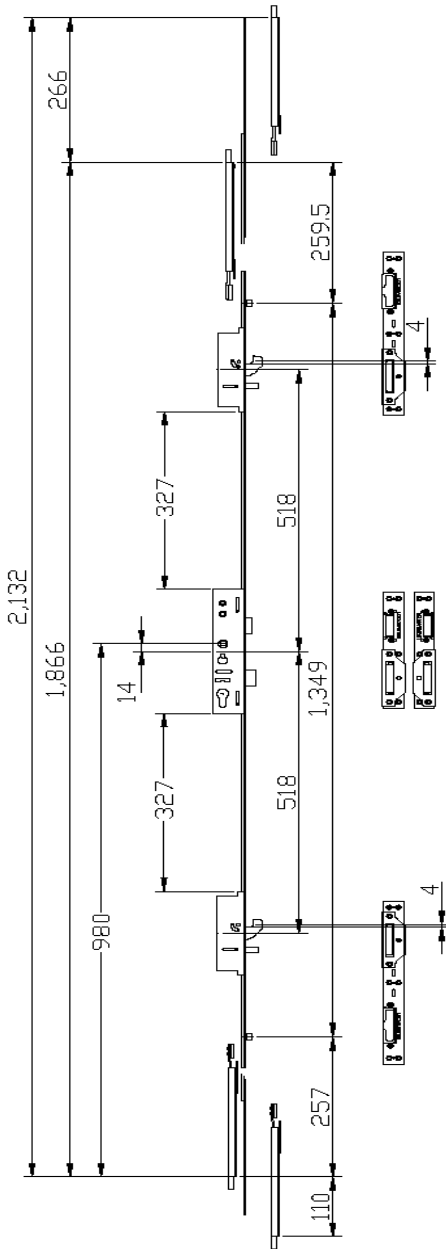


LOCKMASTER
PLSP73 3 Deadbolt Timber/Composite Door Lock

Forend : 16mm Bullnose Both Ends
 Centres : 92mm
 Backset : 45mm
 Spindle : 8mm
 Extendable : No
 Operation : Standard (Lift Lever)

A lock specifically designed for the Timber & Composite doors .3 Hooks for security bullnose faceplate to give neat finish.

KEEPERS
PLK309 LH Adjustable Keepset
PLK310 RH Adjustable Keepset



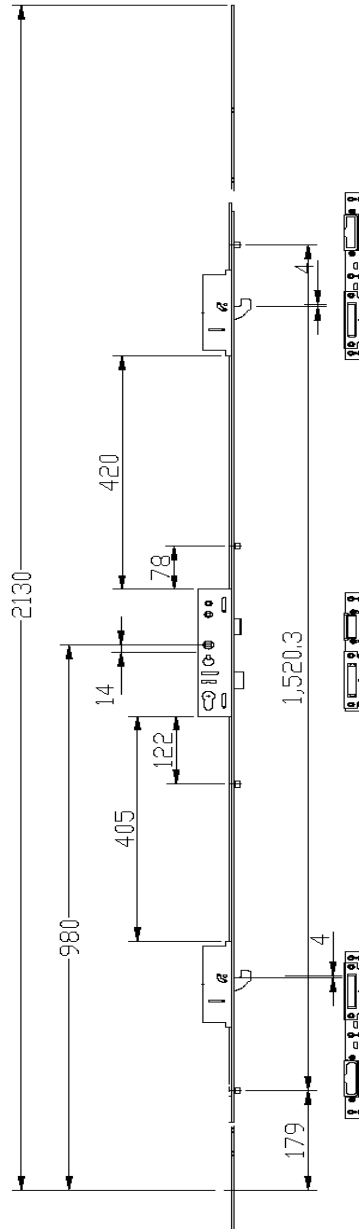
LOCKMASTER PLSP45 2Hook/2Roller & 2 AntiLift

Forend : 16mm
 Centres : 92mm
 Backset : 35mm
 Spindle : 8mm
 Extendable : Yes
 Operation : Standard (Lift Lever)

A lock that has all the security features required in a Upvc door lock 2 Hooks/2 Rollers and the added security of anti-liftbolts. Shootbolts can also be added to increase security. PLSP45 can be used on Single and Double door sets.

KEEPERS

PLK20 LH CENTRE KEEP / PLK402 1PCE KEEPER LH
 PLK21 RH CENTRE KEEP / PLK403 1PCE KEEPER RH
 PLK42 HOOK/ROLLER KEEP SET



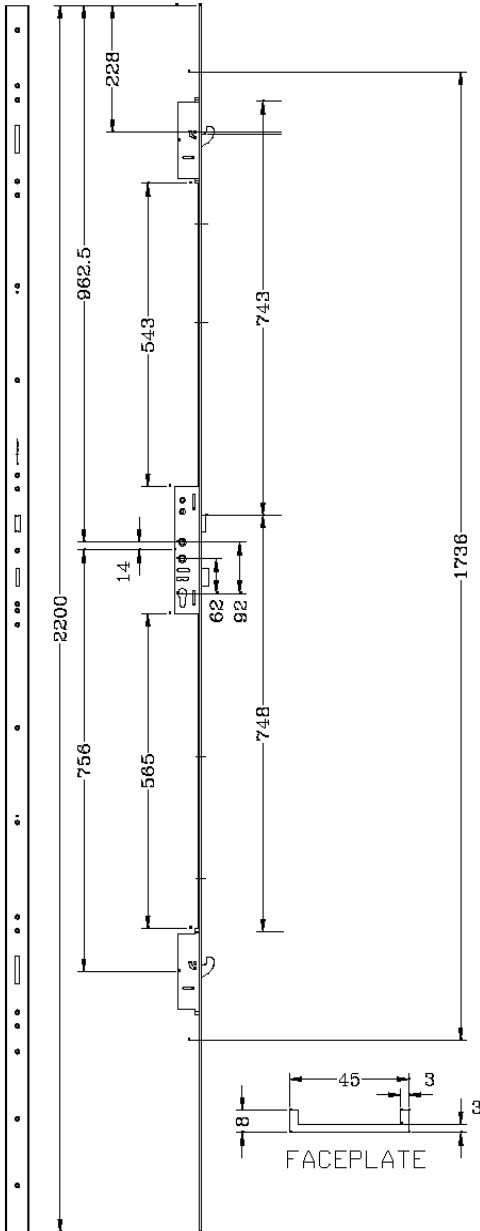
LOCKMASTER PLSP53-2ER 2Hook & 4Roller

Forend : 16mm
 Centres : 92mm
 Backset : 35mm
 Spindle : 8mm
 Extendable : No
 Operation : Standard (Lift Lever)

A lock offering 4 rollers for maximum compression on various door heights.

KEEPERS

PLK20 LH CENTRE KEEP
 PLK21 RH CENTRE KEEP
 PLK42 HOOK/ROLLER KEEP SET

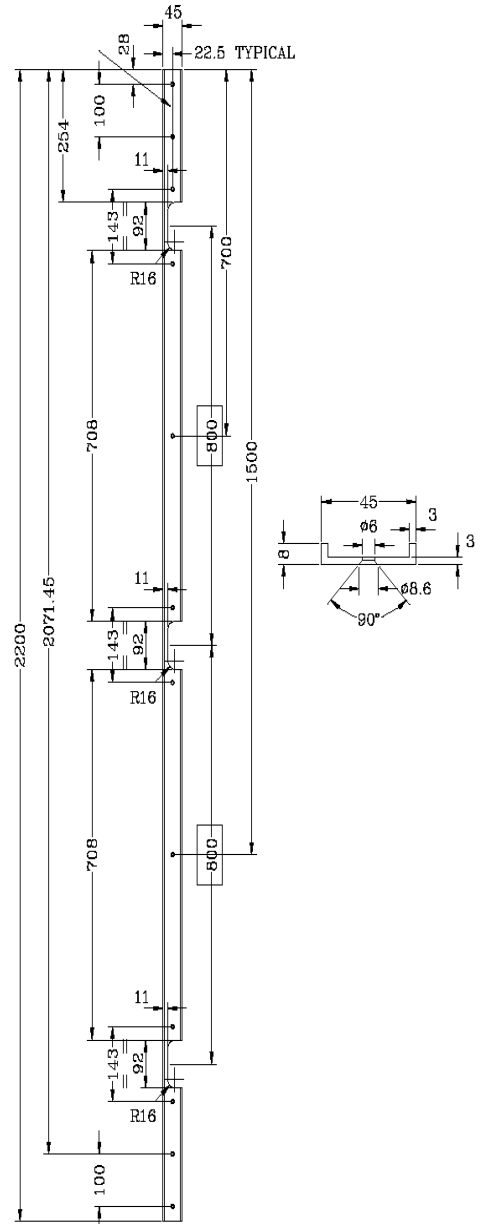


LOCKMASTER COMPOSITE DOOR LOCK 2Hook PL80

Forend : 45mm White Wrap Around
 Centres : 92mm
 Backset : 35mm
 Spindle : 8mm
 Extendable : No
 Operation : Standard (Lift Lever)
 A lock which has been designed for use on Composite doors. Wrap around faceplate provides a clean smooth white finish (allows composite doors to be cut to size)

KEEPERS

PLK309 LH Adjustable Keepset
 PLK310 RH Adjustable Keepset



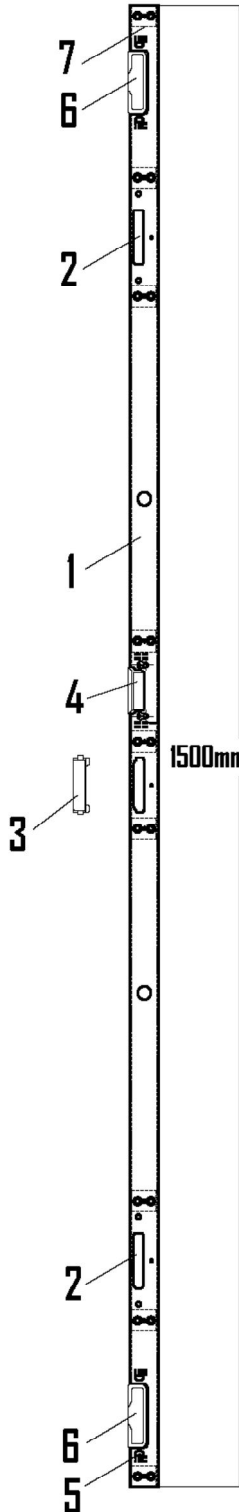
LOCKMASTER COMPOSITE HINGE END COVER PHS1922

Forend : 45mm White Wrap Around

A hinge end cover designed to complement the PL80 composite door lock. Cover designed for use with various styles of door hinges Hinge Cover finished in Smooth white finish.

Please contact us for information on suitable hinges.

LOCKMASTER PLK402/PLK403



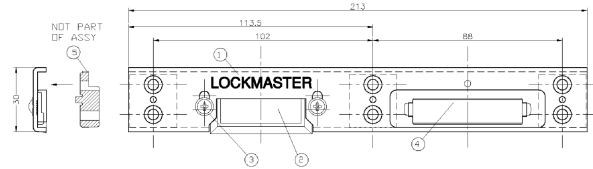
PLK402 = LH 1 PCE KEEP
 PLK403 = RH 1 PCE KEEP

Item Shown PLK403

DESCRIPTION

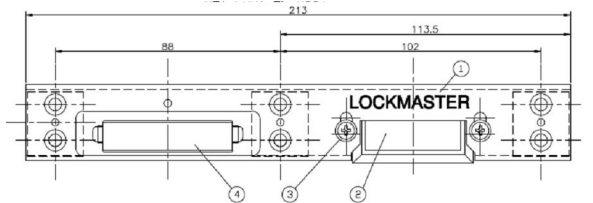
- 1, Baseplate.
- 2, Hook Tidy Box
- 3, Box Tidy
- 4, Latch Plate
- 5, Screw
- 6, Roller Box
- 7, Packer (various available)

LOCKMASTER CENTRE KEEP



DESCRIPTION
 PLK20 Right Hand
 PLK21 Left Hand

LOCKMASTER PLK20 RIGHT/LEFT HAND CENTRE KEEP

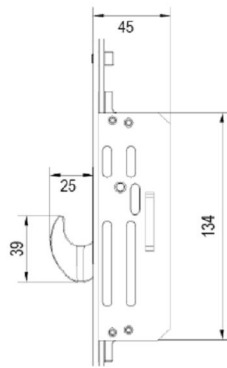
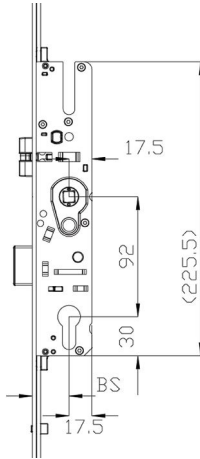
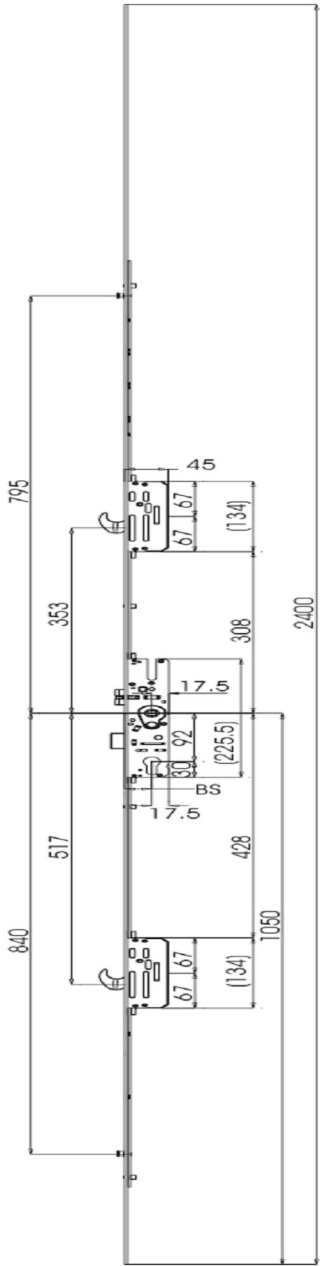


DESCRIPTION

- 1, Baseplate.
- 2, Latch plate.
- 3, Screw.
- 4, Box Tidy.
- 5, Packer (system options available)

LOCKMASTER PLK42 HOOK/ROLLER KEEPSET





MACO G-TS 2 Hook 2 Is Cam Door Lock

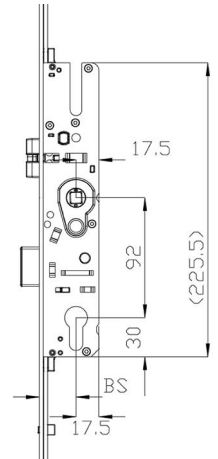
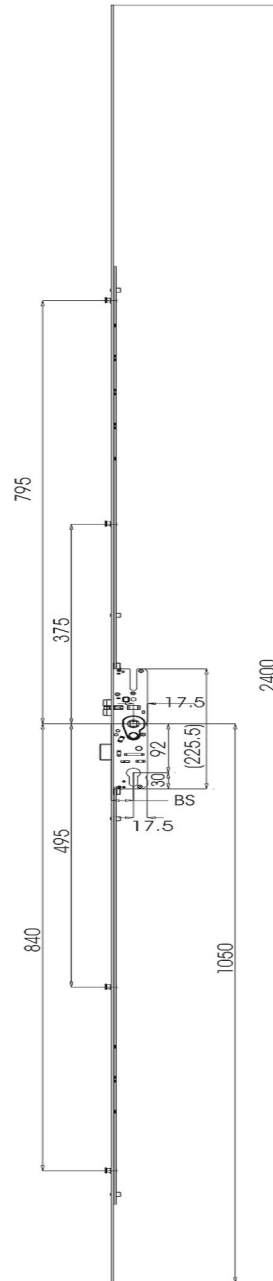
Forend : 16mm
 Spindle : 8mm
 Extendable : Yes
 Operation : Standard
 92mm Centres 8mm Cam height

PART NUMBER

233050
 233051
 233053

BACKSET

28mm
 35mm
 45mm



MACO G-TS 4 Is Cam Door Lock

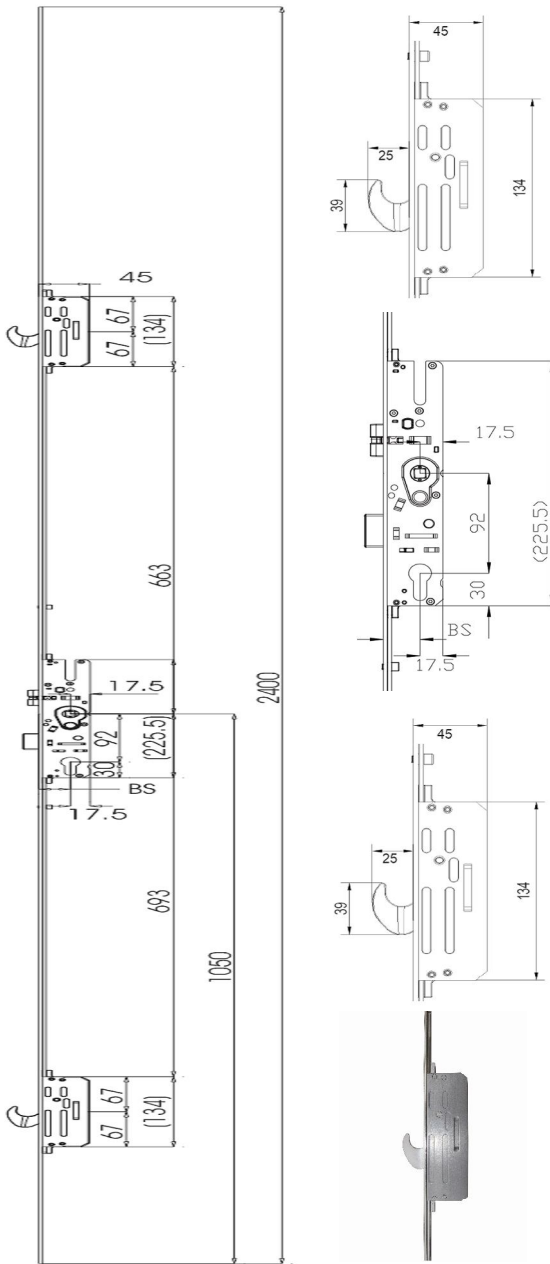
Forend : 16mm
 Spindle : 8mm
 Extendable : Yes
 Operation : Standard
 92mm Centres 4 x 8mm Is Cam .

PART NUMBER

232010
 232011
 232013

BACKSET

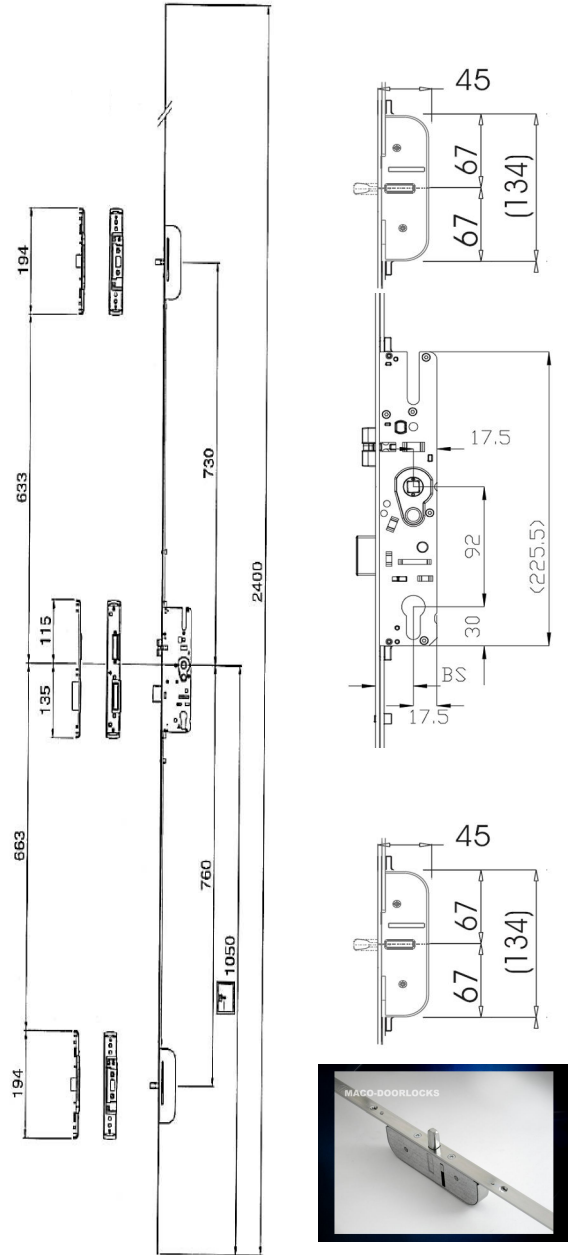
28mm
 35mm
 45mm



MACO G-TS 2 Hook Door Lock

Forend : 16mm
 Spindle : 8mm
 Extendable : Yes
 Operation : Standard
 92mm Centres 8mm Cam height 2 Hook Door Lock

PART NUMBER	BACKSET
233070	28mm
233071	35mm
233073	45mm



MACO G-TS 2 Pin Door Lock

Forend : 16mm
 Spindle : 8mm
 Extendable : Yes
 Operation : Standard (Lever)
 92mm Centres 2 Pin Door Lock

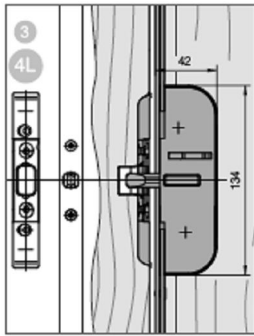
PART NUMBER	BACKSET
232071	35mm
232073	45mm
232075	55mm



MACO ZTS Fingerbolt Keeper



Keeper Part No
Silver 16mm 26799
Silver 20mm 26788



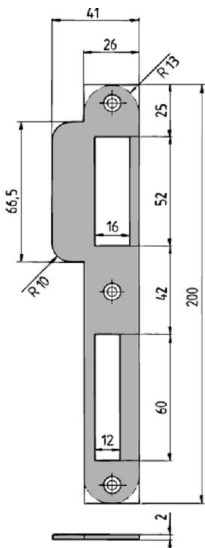
Fingerbolt Striker

Contact pressure adjustment of
+ 0.5mm / - 1.5mm

MACO ZTS Centre Keeper



Keeper Part No
Silver 16mm 29776
Silver 20mm 29787

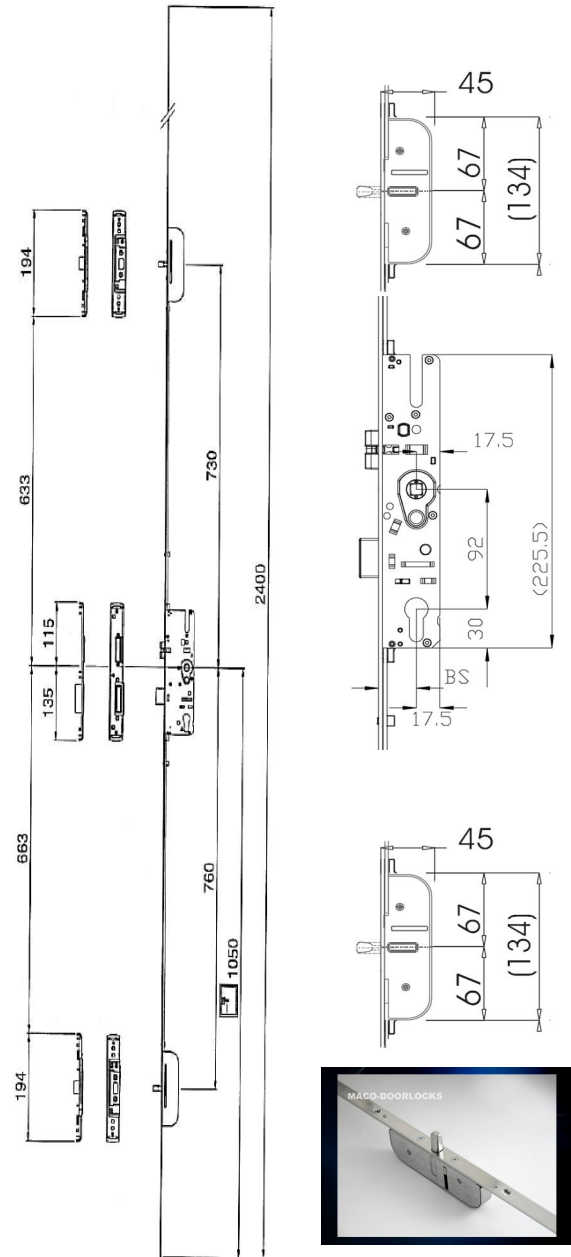


Pin Bolt Keeper to suit Timber

2330-03-20 Square Forend
2330-03-20R Radius Forend

Centre Keeper to suit Timber

Square Forend
or
Radius Forend

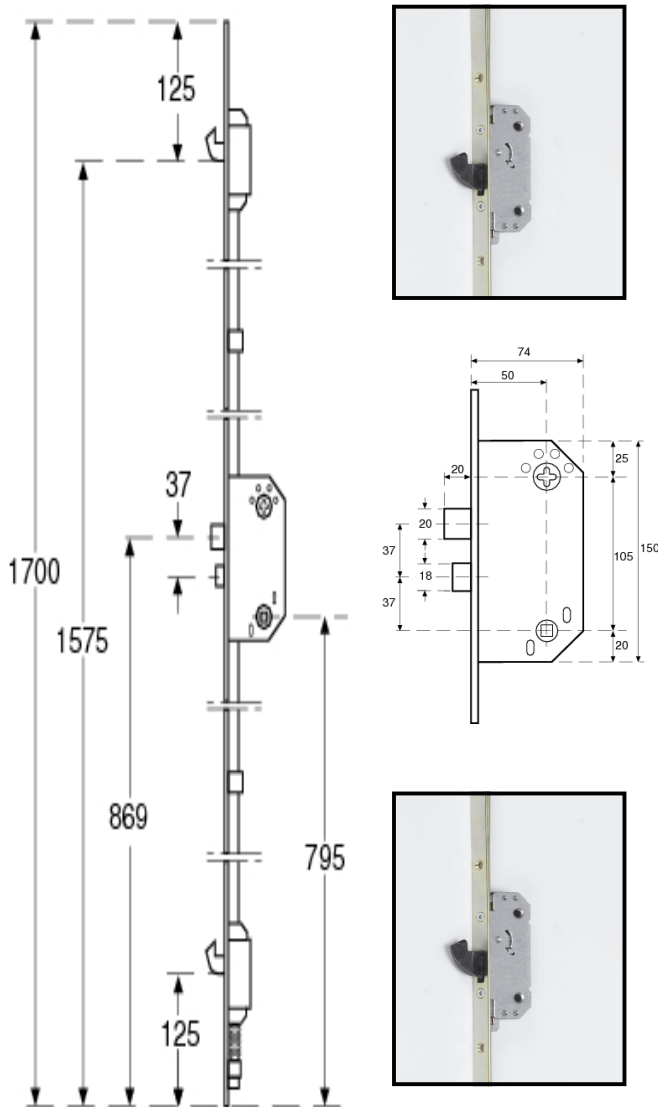


MACO ZTS 2 Pin Door Lock 20mm Faceplate

Forend : 20mm
Spindle : 8mm
Extendable : No
Operation : Key
92mm Centres 2 Pin Door Lock

PART NUMBER	BACKSET
20mm	
230792	45mm
230794	55mm





FIX 2024 & 2025 Door Lock

Used on inward opening or outward opening external doors. Suitable for applications where high security is important.

FIX2025 meets British Standards BS3621:1980

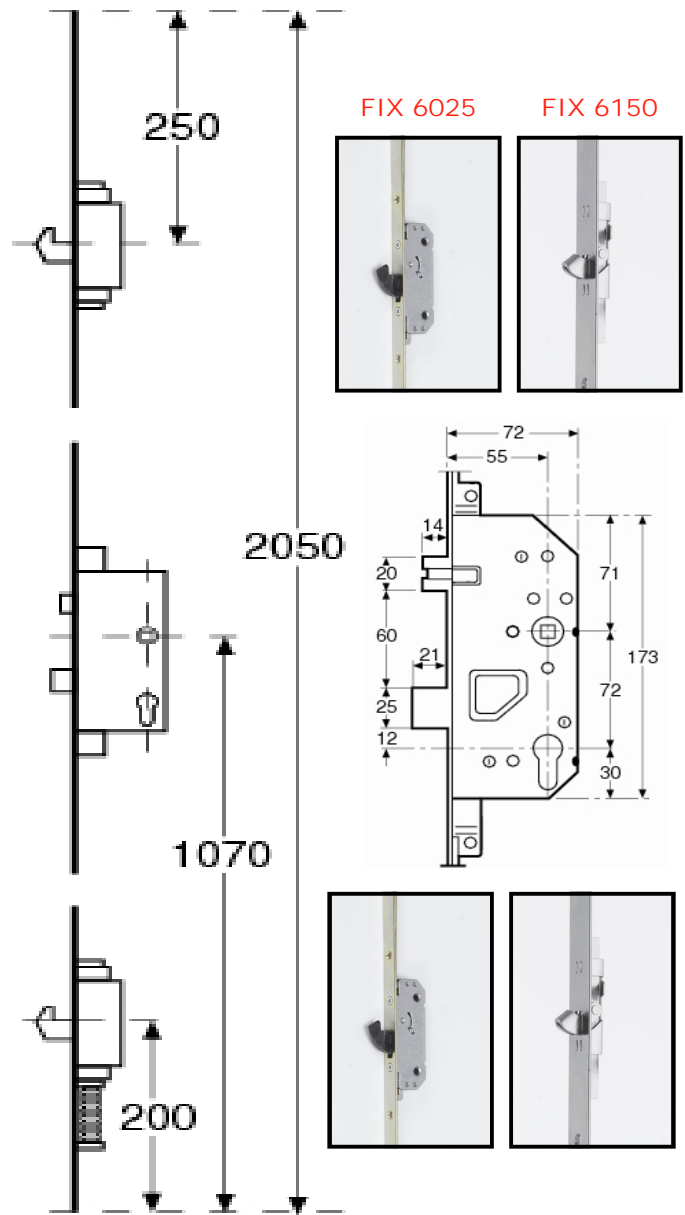
Latchbolt opened by pushing down the handle, lifting up the handle locks the door by engaging two 25mm hookbolts; these are retained in place by the receiver springs. A 20mm deadbolt may then be thrown by turning the key or thumbturn.

FIX2024 : Key turns 90 Degrees.

FIX2024 : Key turns 360 Degrees.

Dimensions

50mm Backset , Faceplate are 25mm or 22mm
1700mm faceplate Handle Height 795mm
2000mm faceplate Handle Height 1000mm



FIX 6025 & 6150 Door Lock

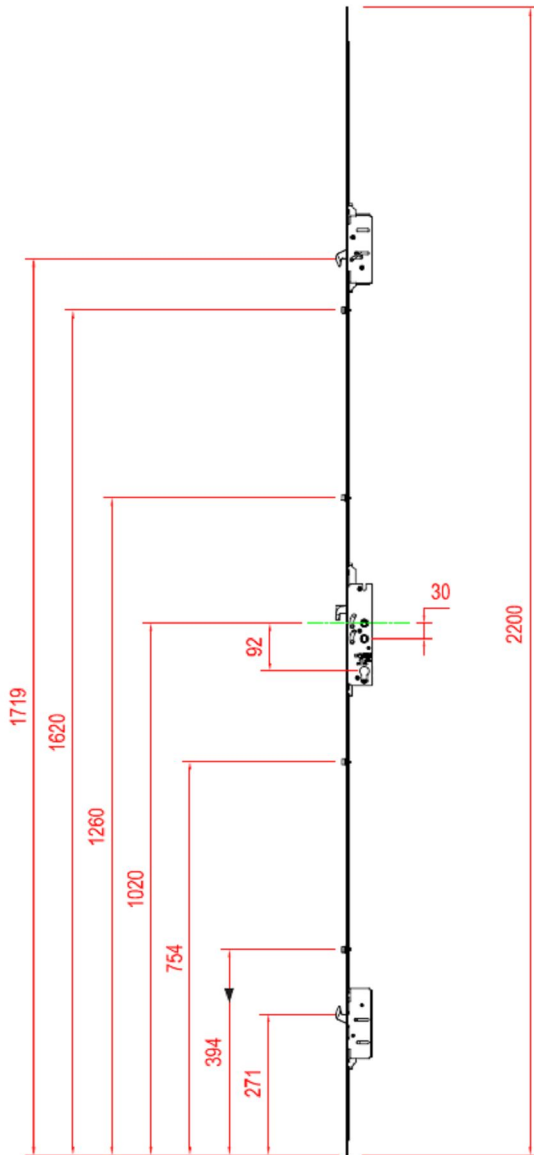
Used on inward opening or outward opening external doors. Suitable for applications where high security is important.

FIX6025 : Side bolts are high security hookbolts; these are retained in place by the receiver springs. They are retracted when the door is in the open position, preventing accidental damage to the door frame. The locks to be operated using one hand.

FIX6150 : Side bolts are wedge bolts. These may be sprung or unsprung. Sprung bolts are retracted when the door is in the open position, preventing accidental damage to the door frame. The locks to be operated using one hand.

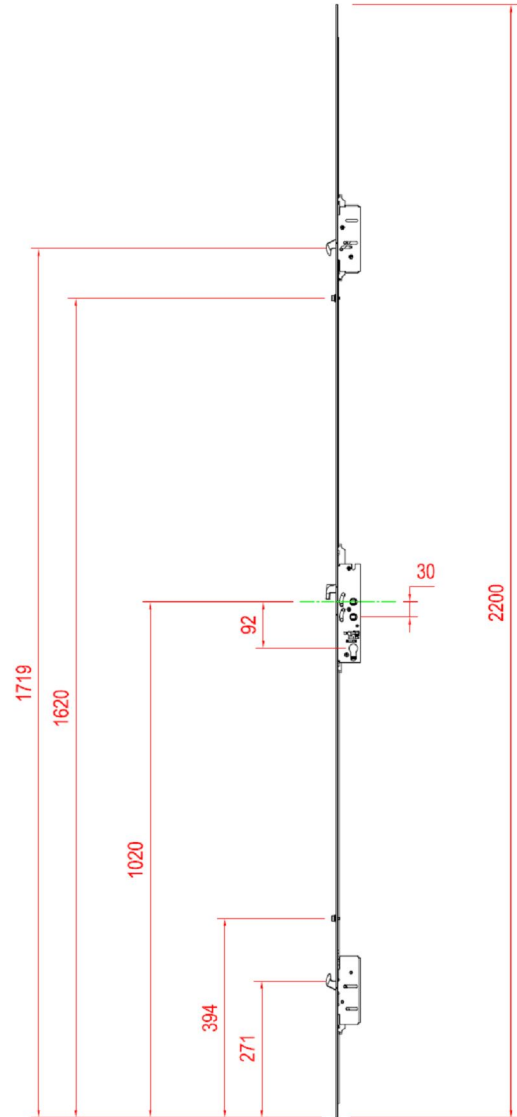
Dimensions

55mm Backset , Faceplate are 25mm or 22mm
2050mm faceplate Handle Height 1070mm



YALE G2739 3 Hook & 2mid/2 inboard rollers Door Lock

- Backset = 35mm
- Lever/Lever Centre = 92mm
- Lever/Pad Centre = 62.5mm
- Reversible Latch
- Shootbolt Compatible
- Unsprung gearbox
- Stainless Steel Faceplate
- Adjustable Roller with 4mm Allen key
- Tested to 100,000 cycles



YALE G2735 3 Hook 2 mid Roller Door Lock

- Backset = 35mm
- Lever/Lever Centre = 92mm
- Lever/Pad Centre = 62.5mm
- Reversible Latch
- Shootbolt Compatible
- Unsprung gearbox
- Stainless Steel Faceplate
- Adjustable Roller with 4mm Allen key
- Tested to 100,000 cycles



CARLISLE BRASS FLUSH BOLT

Carlisle Brass Lever Action Flush Bolts

Finishes :	Available Length
Polished Brass	AA80 150mm x 20mm
Polished Chrome	AA81 202mm x 20mm
Satin Nickel	AA810 254mm x 20mm
	AA812 305mm x 20mm
	AA818 450mm x 20mm
	AA824 600mm x 20mm



AGB FLUSH BOLT

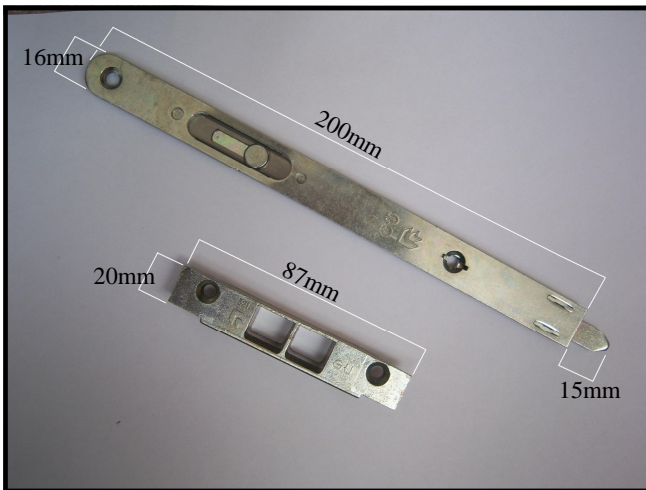
One piece body, to be embedded in to wood ,
Made from pressed sheet steel or sheet brass with 16mm forend.

Finishes : Steel Bronze Plated, Varnished Brass Plated, Bichromated and Nickel plated ,& Brass Varnished Polished,

Available Length
150mm , 200mm , 250mm , 300mm
400mm , 500mm , 600mm , 700mm & 800mm

Bronze plated and Bichromated .

Available length : 200mm, 250mm, 300mm, & 400mm

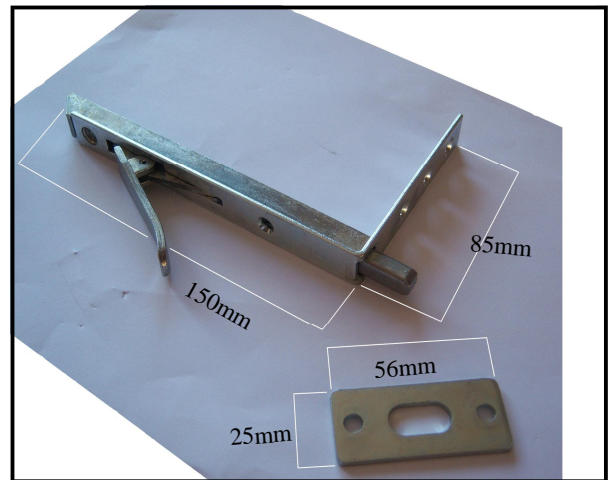


GU SHOOT BOLT

B-01008-02-0-1 Shootbolt with 16mm Faceplate
Fits into 16mm Eurogroove.

Length 200mm 15mm Throw.

GU Double Door Keeper



SCHURING SHOOT BOLT & KEEPER

VHT HG150 Shootbolt
Length 150mm x 85mm Shootbolt throw 20mm

Fits into 16mm Eurogroove

Single Keep
HG150 Keeper