

Product	Product Code	Available Air Opening	L	W	P Closed-Open	Slot Size
SF285 Ventilator	TA5002	2000mm ²	285	28	11.5 - 23	223 x 13
SF278 Canopy	TA5006		278	23	27	
SF325 Ventilator	TA5009	3000mm ²	325	28	11.5 - 23	255 x 13
SF318 Canopy	TA5010		318	23	27	
SF425 Ventilator	TA5001	4000mm ²	425	28	11.5 - 23	173.5 + 20 + 173.5 x 13
SF418 Canopy	TA5005		418	23	27	
SF605 Ventilator	TA5004	6000mm ²	605	28	11.5 - 23	173.5 + 11 + 173.5 + 11 + 173.5 x 13
SF598 Canopy	TA5008		598	23	27	
SF650 Ventilator	TA5011	6500mm ²	650	28	11.5 - 23	173.5 + 22 + 173.5 + 22 + 173.5 x 13
SF643 Canopy	TA5012		643	23	27	
SF775 Ventilator	TA5003	8000mm ²	775	28	11.5 - 23	223 + 24 + 223 + 24 + 223 x 13
SF768 Canopy	TA5007		768	23	27	

TITON SF VENT AND HOOD PACK

- Simple construction to aid painting, self-assembly & fitting.
- Ideal for use in non-domestic installations.
- Compression closing action.
- High performance gasket improves sealing in adverse conditions.
- For use over a 13mm slot.
- 2000,3000,4000,6000,6500 or 8000mm² versions.
- Surface mounted for retrofit applications, over a slot or series of holes.
- Supplied made-to-measure or bar length.
- Bar length for cutting to size by customer details on request.
- Bar length product available in mill finish for customer painting.
- Special paint finishes available.
- Matching Screw covers

Available in : Brown
White



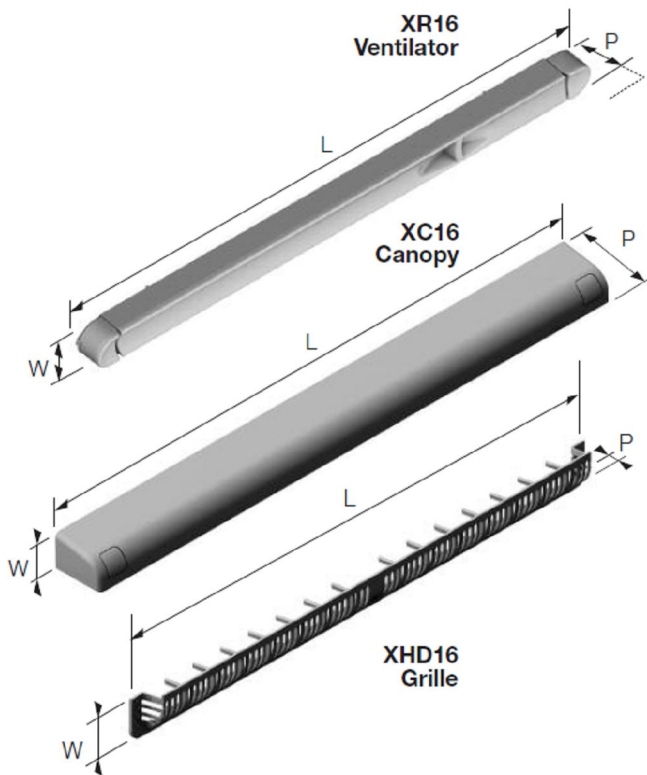
TITON S13 and S16 VENT AND HOOD PACK GS13 GRILLE

- Unique occupant controllable tilting T-bar.
- Deflects air up or down, or both.
- Rounded integral shape.
- For use over 13mm slot S13.
- For use over 16mm slot S16.
- For use with external C16 Canopy (or pair of GN.GW or PG16 grilles)
- 2000mm² or 4000mm² Versions (S16 4000mm version only).
- Based on successful Trimvent principle.
- Sculpted finger recess.
- Matching screw covers.
- Remote control vent available.
- Sleeve for hollow profiles available.

Available in : Brown
White
Tan



Product	Code	L	W	P Closed-Open	Slot Size
S13 2000	TS1132050	265	18.5	20 - 26	223 x 13
S13 2000 Remote Control	TS6132050	265	18.5	32.5	
C13 2000	TS2132020	267	17	24	173.5 + 20 + 173.5 x 13
S13 4000	TS1134050	411	18.5	20 - 26	
S13 4000 Remote Control	TS6134050	411	18.5	32.5	
C13 4000	TS2134020	412	17	24	
GS13 4000	TS3134050	192 each (2 no.)	17	14	



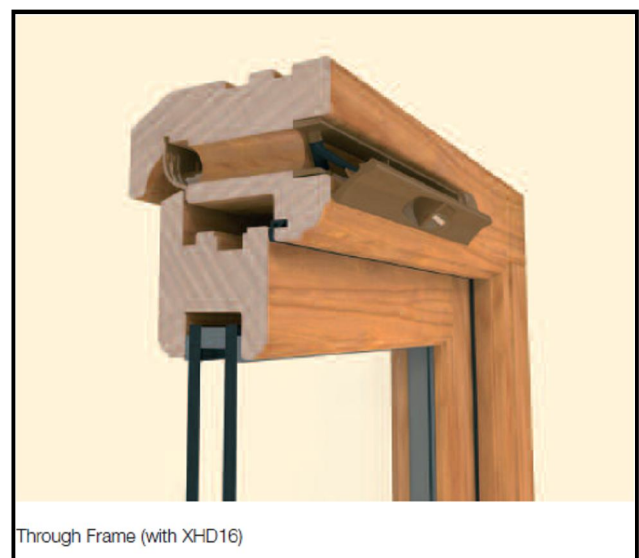
TITON TRIMVENT SELECT Xtra R16 Recessed Slot Ventilator

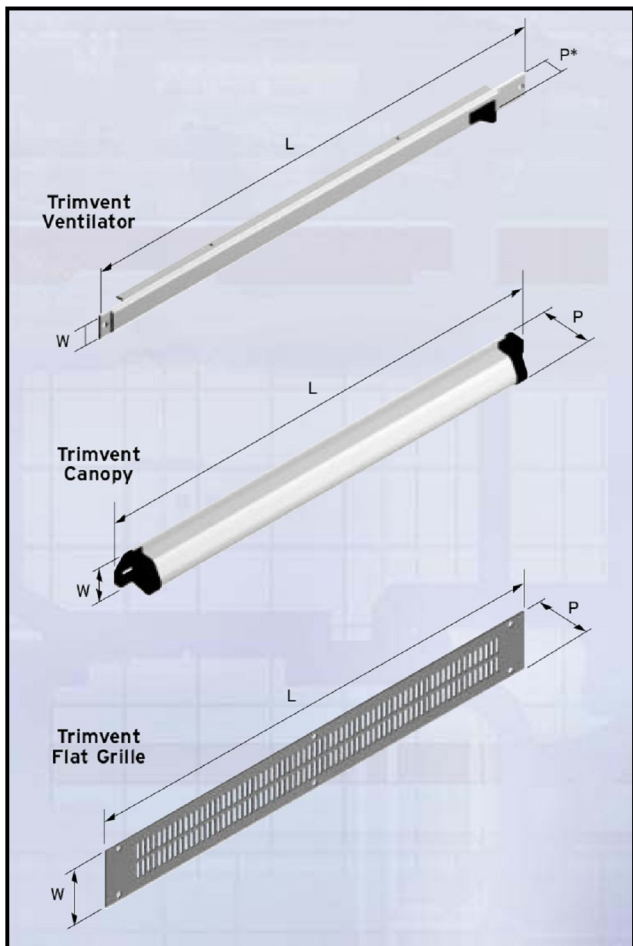
- Revised design to improve performance and Regulations compliance
- Unique occupant controllable tilting T-bar.
- Deflects air up or down, or both.
- No projection (when closed) for ease of window stacking.
- Flange covers slot edges.
- Recesses over 16mm slot (R16).
- 4000mm² Version.
- Based on successful Trimvent principle.
- Sculpted finger recess.
- Matching screw covers.
- Remote control vent available (R16 only).

Available in : Brown
White



Product	Product Code	(L) Length	(W) Width	(P) Projection Closed-Open	EA (mm ²)	Free Area (mm ²)	Slot Detail
XR16 4600EA Vent	TS1164630	351	21 - 32	0 - 18.5	4600	4530	151 10 151 16°
XC16 364 Canopy	TS2164040	364	22	32.5	4600	4990	151 10 151 16°
XR16 4600EA Vent	TS1164630	351	21 - 32	0 - 18.5	4600	4530	151 10 151 16°
XHD16 Grille **	TS3164030	358	26	13.5	4600	5345	151 10 151 16°



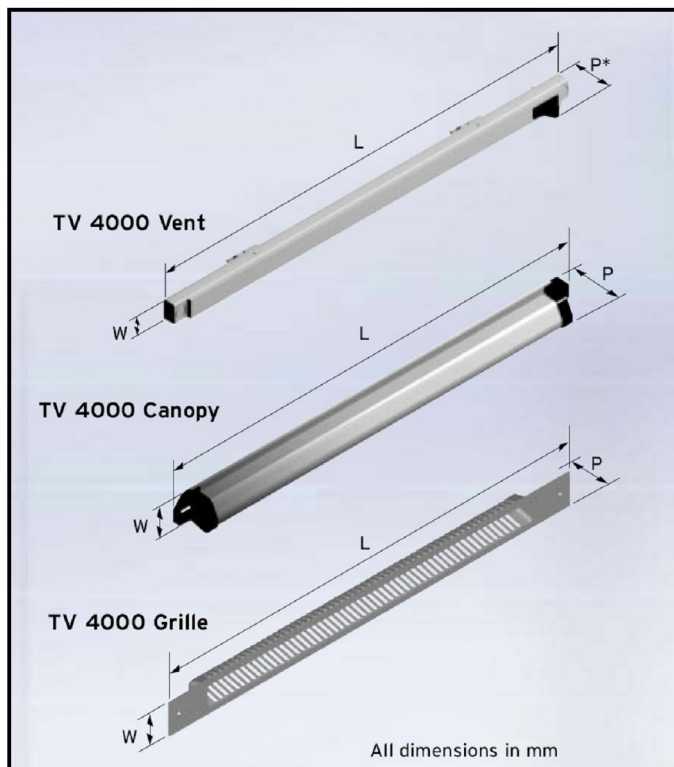


TITON TRIMVENT 90 Hi Lift Aluminium Slot Vent

- Revised design to improve performance and regulations compliance.
- Compression closing action.
- Based on successful Trimvent principle.
- For use 12mm or 16mm slot.
- T-bar deflects air up and down.
- Unique linkages ensure constant friction and smooth action.
- Vent supplied with screw covers, canopy features integral screw covers.
- Special colours available on request.
- Sleeve available for hollow profiles.
- Felted gasket for increased performance.
- When specified correctly complies with Building Regulations.

Available in : Brown, White & SAA

TV SW 239 Ventilator	TA449	1240mm ²	239	17	16.6 - 21	195 x 12
TV SW 2000 Canopy	TA4006	1240mm ²	255	28	17	
TV SW 288 Ventilator	TA450	1611mm ²	288	17	16.6 - 21	244 x 12
TV SW 297 Canopy	TA4290	1611mm ²	297	28	17	
TV SW 288 Flat Grille	TH266	1920mm ²	288	20	1	255 x 12 (with canopy)
TV SW 380 Ventilator	TA451	2305mm ²	380	17	16.6 - 21	336 x 12
TV SW 4000 Canopy	TA4005	2305mm ²	400	28	17	
TV SW 380 Flat Grille	TH275	2628mm ²	380	20	1	347 x 12 (with canopy)
TV SW 472 Ventilator	TA452	2999mm ²	472	17	16.6 - 21	428 x 12
TV SW 481 Canopy	TA4292	2999mm ²	481	28	17	
TV SW 472 Flat Grille	TH276	3312mm ²	472	20	1	439 x 12 (with canopy)
TV SW 695 Ventilator	TA453	4641mm ²	695	17	16.6 - 21	651 x 12
TV SW 701 Canopy	TA4293	4641mm ²	701	28	17	
TV SW 695 Flat Grille	TH277	5016mm ²	695	20	1	662 x 12 (with canopy)
TV90 250 Ventilator	TA660	2060mm ²	250	22	17 - 23	212 x 16
TV90 250 Canopy	TA653	2060mm ²	250	35	21	
TV90 FG 250 Flat Grille	TA750	2176mm ²	250	30	1	220 x 18 (with canopy)
TV90 425 Ventilator	TA661	4105mm ²	425	22	17 - 23	387 x 16
TV90 425 Canopy	TA654	4105mm ²	425	35	21	
TV90 FG435 Flat Grille	TA751	4032mm ²	435	30	1	405 x 18 (with canopy)
TV90 695 Ventilator	TA662	6598mm ²	695	22	17 - 23	657 x 16
TV90 695 Canopy	TA655	6598mm ²	695	35	21	
TV90 FG 695 Flat Grille	TH12	6592mm ²	695	30	1	665 x 18 (with canopy)
TV90 835 Ventilator	TA663	8210mm ²	835	22	17 - 23	395 + 7 + 395 x 16
TV90 835 Canopy	TA656	8210mm ²	835	35	21	



TITON TRIMVENT 4000 Hi Lift Aluminium Slot Vent

- Revised design to improve performance and regulations compliance.
- Compression closing action.
- Based on successful Trimvent principle.
- For use 13mm slot.
- T-bar deflects air up and down.
- Unique linkages ensure constant friction and smooth action.
- Special colours available on request.
- Canopy features integral screw covers.
- Sleeve available for hollow profiles.
- Felted gasket for increased performance.
- When specified correctly complies with Building Regulations.

Available in : Brown
White
SAA

Product	Code	L	W	P* Closed-Open	Slot Size
TV 2000 Vent	TA4002	255	17	16.5-22.5	223 x 13
TV 2000 Canopy	TA4006	255	28	21	223 x 13
TV 2000 Grille	TA4011	255	19	1 +12 recessed	223 x 13
TV 4000 Vent	TA4001	400	17	16.5-22.5	173.5 + 20 + 173.5 x 13
TV 4000 Canopy	TA4005	400	28	21	173.5 + 20 + 173.5 x 13
TV 4000 Grille	TA4010	400	19	1 +12 recessed	173.5 + 20 + 173.5 x 13





YALE TRICKLE VENTILATORS

- High Air flow.
- Low Air Leakage.
- Sound Dampening.
- Condensation problems eliminated.
- Draught and heat less problems eliminated.
- Fitted with soft, ageing resistant weather strips.
- Simple to mount and install.
- Just as easy to dismount when window is ready for repainting.
- Simple to operate.
- Optional Outer hood available to prevent ingress of water or to act as an insect shield.
- Suitable for PVC-u , Timber and Aluminium windows.
- Available on White, Brown, Black & Silver

Standards

BS 6375 - 1 : 2004 Performance of windows - classification of weather tightness.
 BS EN 1026 Air Leakage performance requirements
 BS EN 12207 Classified

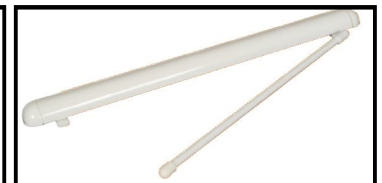
Product	Opening In Frame. Sash	Vent Dimensions	Slot Size	Equiv Area
Inner Ventilators				
G7716/280	14 x 190mm	18 x 280mm	26cm ²	2150mm ²
G7716/380	14 x 290mm	18 x 380mm	40cm ²	3600mm ²
G7716/470	14 x 370mm	18 x 470mm	51cm ²	4200mm ²
G7716/590	14 x 490mm	18 x 490mm	68cm ²	5100mm ²
G7716/640	14 x 540mm	18 x 540mm	75cm ²	6250mm ²

Outer Hoods

G7718/235	14 x 190mm	29 x 235mm	26cm ²	1450mm ²
G7718/335	14 x 290mm	29 x 335mm	40cm ²	2450mm ²
G7718/445	14 x 370mm	29 x 445mm	51cm ²	3300mm ²
G7718/525	14 x 490mm	29 x 525mm	68cm ²	4150mm ²
G7718/605	14 x 540mm	29 x 605mm	75cm ²	4750mm ²



Vent Sleeve



Rod Controlled Vent

RW SIMON FRAME VENTILATORS

- A robust smooth slim elegant rounded design.
- Snap on quick fit end caps.
- Positive open and close action.
- Integral flyscreen in external hood.
- Available with rod control.
- Can be fitted to give updraft or down-draft.
- Suitable for PVC-u , Timber and Aluminium windows.
- Available on four colours
White, Bright White , Dark Brown, & Tan

Standards

- Tested in accordance with BS EN 1026:2000 & BS EN 1027:2000 Weather performance.
- Sleeves available to ensure full compliance with BS 7412:2002
- Independently acoustically tested in accordance with BS EN 20140-10:19921, ISO 140-10:1991.

Product	Length	EA as per BS 13141-1:2004	Box Qty
Frame Vent & Hood Pack			
2500-12.5	400mm	2500mm ²	100
5000-12.5	795mm	5000mm ²	50
2500-15	300mm	2500mm ²	100
5000-15	595mm	5000mm ²	50

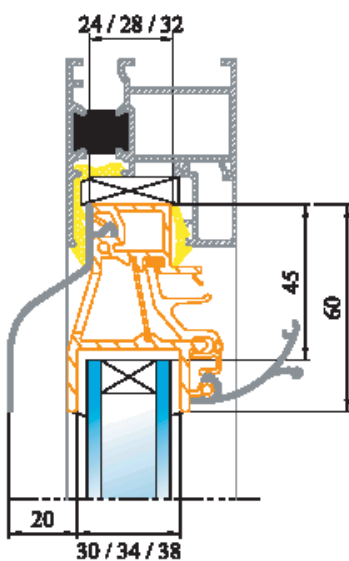
DUCOPLUS 45 GLAZED -IN VENT



DucoPlus 45 is a thermally broken and thermally improve"controllable" aluminium glazed-in window ventilator featuring a smooth-curve canopy for superior weatherability and positive action inner tip which directs the flow of incoming air upwards. This Slimline ventilator requires only 45mm glass reduction but provides 9162mm² equivalent area/meter. The DucoPlus 45 is suitable for PVCu, Timber or Aluminium Windows, The vent can be supplied in all Ral colours (also twin colours) , SAA and Mill finish. A permanent version for gas and domestic fuel burning appliances is available as well as a Trickle vent version.

Characteristics

Airflow at 1 Pa	26m ³ /h/m
Airflow at 2 Pa	37m ³ /h/m
Equivalent area (at 1 Pa/m vent)	9162mm ² /m
Free airflow performance	12000mm ²
Wind-and watertightness	Up to 600 Pa
Glass reduction	45mm
Glass thickness	24, 28 and 32mm
Vent height	60mm
Operation	Hand, Cord or Rod
Acoustic value, Dne,A (open)	26.1dB(A)



45mm glass reduction only



Graded Operating Mechanism Provides Control Of air



Thermally Broken And Thermally Improved

DUCOPLUS 60 GLAZED -IN VENT

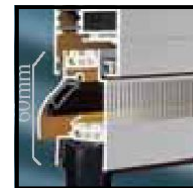
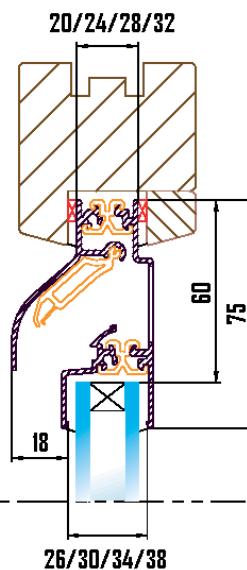


DucoPlus 60 is a thermally broken and thermally improve"controllable" aluminium glazed-in window flap ventilator with soft line design outer profile and built-in air deflector which directs the flow of incoming air upwards. The punched inside profile acts as an insect mesh. The DucoPlus 60 is suitable for PVCu, Timber or Aluminium Windows, The vent can be supplied in all Ral colours (also twin-colours) ,SAA and Mill finish. A permanent version for gas and domestic fuel burning appliances is available.

DucoPlus 60 has excellent sound absorption qualities : Rqa = 1dB (A)

Characteristics

Airflow at 1 Pa	49m ³ /h/m
Airflow at 2 Pa	70m ³ /h/m
Equivalent area (at 1 Pa/m vent)	17179mm ² /m
Free airflow performance	15000mm ²
Wind-and watertightness	Up to 650 Pa
Stiffness & Strength	Up to 1430 Pa
Glass reduction	60mm
Glass thickness	20, 24, 28 and 32mm
Vent height	75mm
Operation	Hand, Cord or Rod
Acoustic value, Dne,A (open)	27.0dB(A)



60mm glass reduction only



Thermally Broken And Thermally Improved



Built-in Air deflector = Upward Air deflection

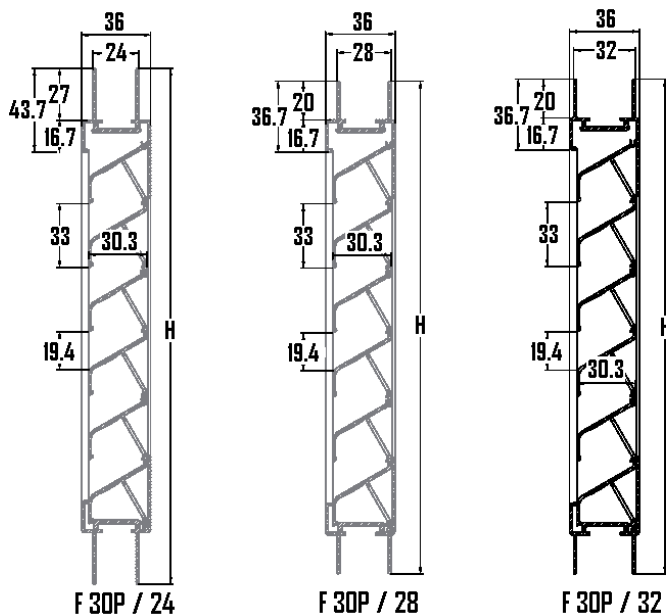
DUCO FRAME F 30P



Duco Frame F 30P are glazed-in louvre grilles, made from aluminium profiles. All units are assembled from extruded sections of aluminium A1 Mg Si 0.5. They can be fitted in any PVCu, Timber or aluminium window/doors. DucoFrame are ergonomic and aesthetic design louvre windows. They are splash water and insect proof. The punched profiles of the DucoFrame F 30P act as an insect mesh. DucoFrame provides burglar proof intensive ventilation during night and day.

Characteristics

Equal leg outer frame	24mm / 28mm / 32mm
Depth to fit	30mm
Minimum profile thickness	1.5mm
Finishes	Satin or Bronze anodized Or any Ral colour
Airflow from 50dm ²	4.0ltrs/sec/dm ² at 2 Pa



We can also supply an extensive range of

- Acoustic Vents,
- Flat Vents (for Sliding Doors & windows)
- Large Airflow Performance Vents.

Duco also have a large selection of **BRISE SOLEIL** Which can be supplied in bar length, cut to size or fully fitted

The Duco products shown are only a small selection of the many types we have available. Please contact us for further information.