





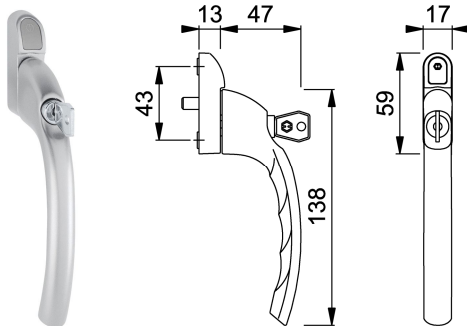


| FINISH | |
|---|-------------------------------|
|  | Polished Chrome F49 |
|  | Silver F1 |
|  | Gold F3 |
|  | White F9016 |
|  | Black F9714 |
|  | Polished Gold F77 |



Spindle Sizes : 10mm, 12mm, 16mm, 20mm, 25mm, 30mm & 40mm

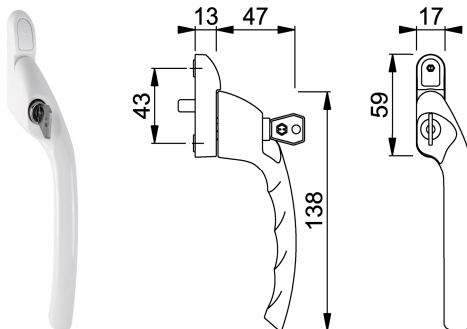
HOPPE TOKYO INLINE ESPAG HANDLE

Code : 0710ES/6

Hoppe aluminium lockable window handle with 90deg stop position, for espagnoltette window locks, Tokyo Series. The inline lever is fixed to the backplate and by design is fully reversible. In operation the handle is opened by pushing the cylinder button. The handle locks automatically when closed, however the additional security the cylinder can also be deadlocked with the key. Fixing screws are concealed by cover cap as supplied.

Also available: Cylinder cover for non locking applications.

Available in : Polished Brass
Polished Chrome
Silver
Gold
White
Black
Polished Gold



Spindle Sizes : 10mm, 12mm, 16mm, 20mm, 25mm, 30mm & 40mm

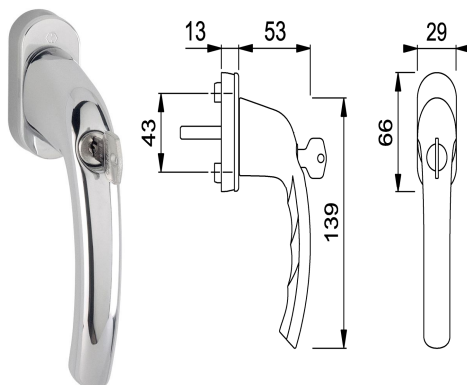
HOPPE TOKYO CRANKED ESPAG HANDLE

Code : 0710EVK/6 Right Hand and Left Hand

Hoppe aluminium lockable window handle with 90deg stop position, for espagnoltette window locks, Tokyo Series. The cranked lever is fixed to the backplate and by design is handed. In operation the handle is opened by pushing the cylinder button. The handle locks automatically when closed, however the additional security the cylinder can also be deadlocked with the key. Fixing screws are concealed by cover cap as supplied.

Also available: Cylinder cover for non locking applications.

Available in : Polished Brass
Polished Chrome
Silver
Gold
White
Black
Polished Gold



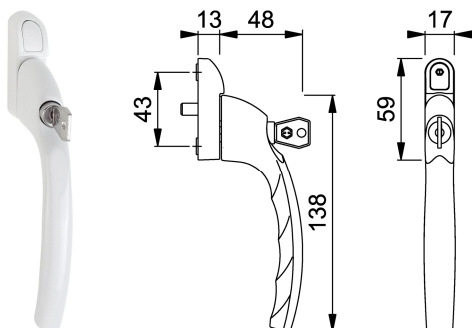
HOPPE TOKYO TILT & TURN HANDLE

Code : 0710S-U26

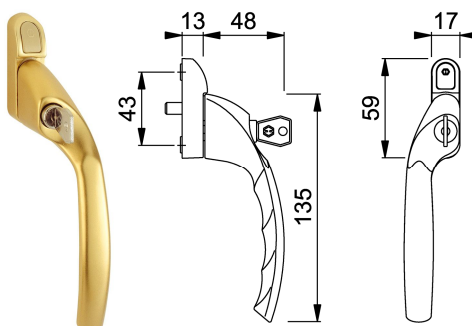
Hoppe aluminium locking TBT (tilt-before-turn) handle for tilt-and-turn windows. 90deg stop position, Tokyo Series. In operation the handle will engage in four positions at 90 deg Intervals and can only be locked in the closed position. Push cylinder lock, turn key release. Also available 38mm and 44mm projection spindle also available to special order.

Non-Locking version also available

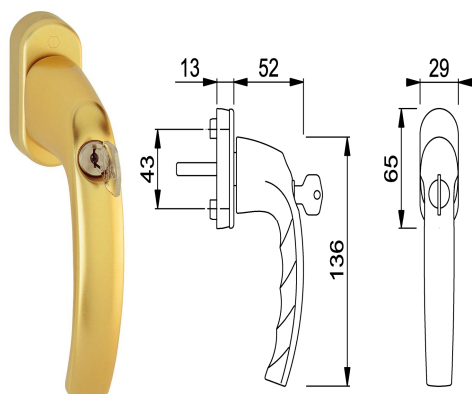
| FINISH |
|--|
|  <p>Polished Chrome</p> <p>F49</p> |
|  <p>Silver</p> <p>F1</p> |
|  <p>Gold</p> <p>F3</p> |
|  <p>White</p> <p>F9016</p> |
|  <p>Black</p> <p>F9714</p> |
|  <p>Polished Gold</p> <p>F77</p> |



Spindle Sizes : 10mm, 12mm, 16mm, 20mm, 25mm, 30mm & 40mm



Spindle Sizes : 10mm, 12mm, 16mm, 20mm, 25mm, 30mm & 40mm



HOPPE ATLANTA INLINE ESPAG HANDLE

Code : 0530ES/6

Hoppe aluminium lockable window handle with 90deg stop position, for espagnoltette window locks, Atlanta Series. The inline lever is fixed to the backplate and by design is fully reversible. In operation the handle is opened by pushing the cylinder button. The handle locks automatically when closed, however the additional security the cylinder can also be deadlocked with the key. Fixing screws are concealed by cover cap as supplied.

Also available: Cylinder cover for non locking applications.

Available in : Polished Brass
Polished Chrome
Silver
Gold
White
Black
Polished Gold

HOPPE ATLANTA CRANKED ESPAG HANDLE

Code : 0530EVKS/6 Right Hand and Left Hand

Hoppe aluminium lockable window handle with 90deg stop position, for espagnoltette window locks, Atlanta Series. The cranked lever is fixed to the backplate and by design is handed. In operation the handle is opened by pushing the cylinder button. The handle locks automatically when closed, however the additional security the cylinder can also be deadlocked with the key. Fixing screws are concealed by cover cap as supplied.

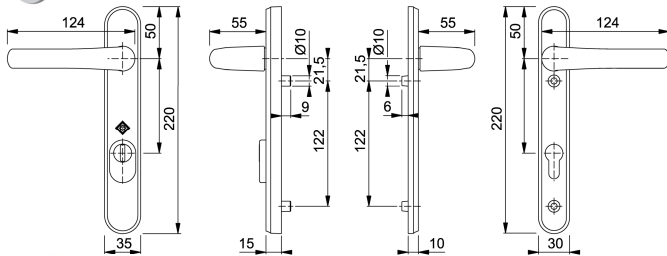
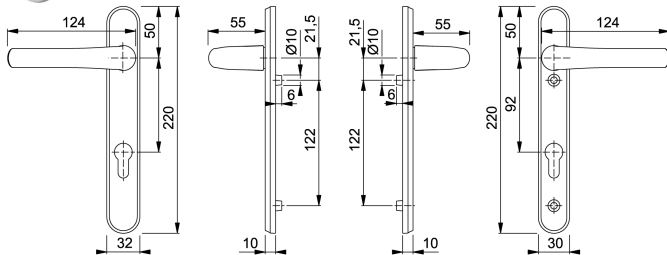
Also available: Cylinder cover for non locking applications.

Available in : Polished Brass
Polished Chrome
Silver
Gold
White
Black
Polished Gold

HOPPE ATLANTA TILT & TURN HANDLE

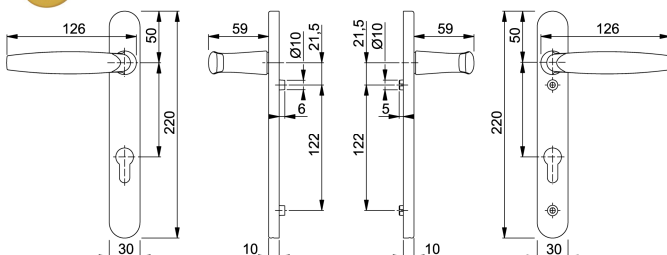
Code : 0530S-U26

Hoppe aluminium locking TBT (tilt-before-turn) handle for tilt-and-turn windows. 90deg stop position, Atlanta Series. 38mm and 44mm projection spindle also available to special order.



Resista[®]
10 years' surface
guarantee

10 Year Resista Guarantee
On Polished Brass & Chrome Finishes



HOPPE TOKYO 1710RH/3370N Lever/Lever Handle Set

Lever furniture set to suit multipoint locks with 92mm Cylinder Centres

-Hoppe aluminium lever set on backplate for exterior doors Tokyo series. To suit multipoint locks with 92mm cylinder centres. The unsprung levers are fixed to the backplate and by design are fully reversible. Fixing lugs are supplied on both backplates for a secure fit, Aluminium lever and backplate.

Available in : Polished Brass F77
Polished Chrome F71
Silver F1
Gold F3
White F9016
Black F9714

HOPPE TOKYO 1710RH/3360N Lever/Lever Handle Set PAS24

Lever furniture set to suit multipoint locks with 92mm Cylinder Centres

-The unsprung levers are fixed to the backplate and by design are fully reversible.
-Fixing lugs are supplied on both backplates for a secure fit. -
-M6 hardened steel screws for added strength
-Solid external backplate with protective cylinder cover.
-Third party independently tested and satisfies the requirements of PAS24 clause A.11
-Holds a Secured By Design Licence.

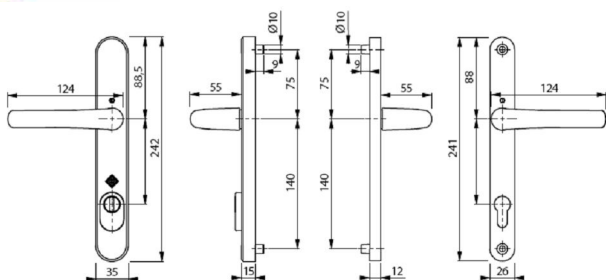
Available in : Silver F1
Gold F3
White F9016
Black F9714

HOPPE ATLANTA 1530/3337 Lever/Lever Handle Set

Lever furniture set to suit multipoint locks with 92mm Cylinder Centres

-Hoppe aluminium lever set on backplate for exterior doors Atlanta series. To suit multipoint locks with 92mm cylinder centres. The unsprung levers are fixed to the backplate and by design are fully reversible. Fixing lugs are supplied on both backplates for a secure fit, Aluminium lever and back Plate. Also available: Cylinder cover for non locking applications.

Available in : Polished Brass F77
Polished Chrome F71
Silver F1
Gold F3
White F9016
Black F9714

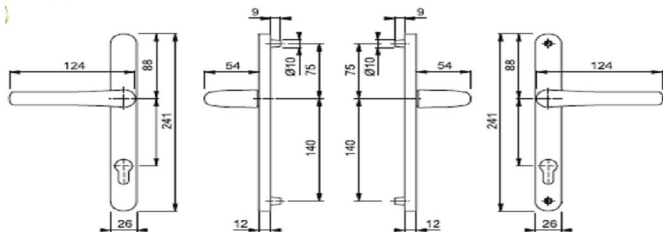


HOPPE PAS24 1710RH/3623N Lever/Lever Handle Set

Lever furniture set to suit multipoint locks with 92mm Cylinder Centres

- The sprung levers are fixed to the backplate and by design are fully reversible.
- Fixing lugs are supplied on both backplates for a secure fit.
- M6 hardened steel screws for added strength
- Solid external backplate with protective cylinder cover.
- Third party independently tested and satisfies the requirements of PAS24 clause A.11
- Holds a Secured By Design Licence.

| | | |
|----------------|--------|-------|
| Available in : | Silver | F1 |
| | Gold | F3 |
| | White | F9016 |
| | Black | F9714 |



HOPPE TOKYO 1710RH/3623 Lever/Lever Handle Set

Lever furniture set to suit multipoint locks with 92mm Cylinder Centres

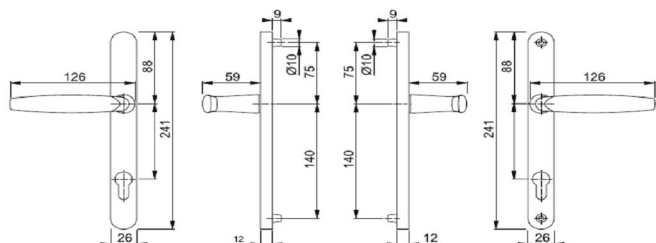
- Hoppe aluminium lever set on backplate for exterior doors Tokyo series. To suit Paddock multipoint locks with 92mm centres. The sprung levers are fixed to the backplate and by design are fully reversible. Fixing lugs are supplied on both backplates for a secure fit, Aluminium lever and back Plate.

| | | |
|----------------|--------|-------|
| Available in : | Silver | F1 |
| | Gold | F3 |
| | White | F9016 |
| | Black | F9714 |



Resista[®]
10 years' surface guarantee

10 Year Resista Guarantee
On Polished Brass & Chrome Finishes

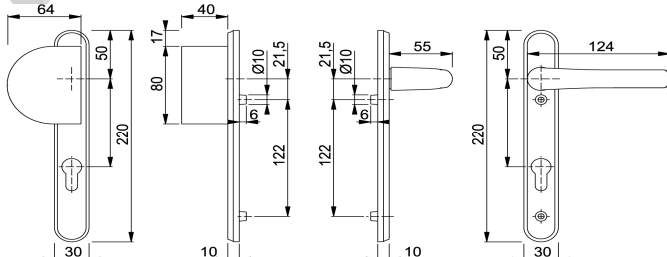
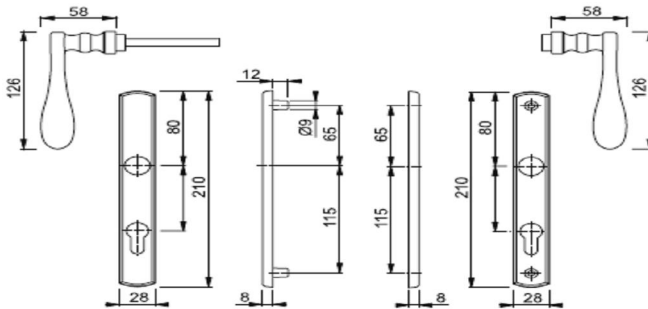
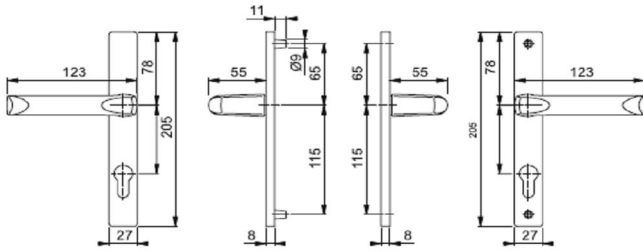


HOPPE ATLANTA 1530/3623 & 1530/3841 Lever/Lever Handle Set

Lever furniture set to suit multipoint locks with 92mm Cylinder Centres

- Hoppe aluminium lever set on backplate for exterior doors Atlanta series. To suit Yale multipoint locks with 92mm centres. The sprung levers are fixed to the backplate and by design are fully reversible. Fixing lugs are supplied on both backplates for a secure fit, Aluminium lever and back Plate.

| | | | |
|----------------|-----------------|-------|-----------|
| Available in : | Polished Brass | F77 | 1530/3841 |
| | Polished Chrome | F71 | 1530/3841 |
| | Silver | F1 | 1530/3623 |
| | Gold | F3 | 1530/3623 |
| | White | F9016 | 1530/3623 |
| | Black | F9714 | 1530/3623 |



HOPPE LONDON 113/200LM Lever/Lever Handle Set

Lever furniture set to suit multipoint locks with 70mm Cylinder Centres

-Hoppe aluminium lever set on backplate for exterior doors Palermo series. To suit multipoint locks with 70mm centres. The unsprung levers are fixed to the backplate and by design are fully reversible. Fixing lugs are supplied on both backplates for a secure fit, Aluminium lever and back Plate.

Available in : Silver F1
Gold F3
White F9016
Black F9714

HOPPE MUNCHEN M112PL/M200LM Lever/Lever Handle Set

Lever furniture set to suit multipoint locks with 70mm Cylinder Centres

-Hoppe brass lever set on backplate for exterior doors Munchen series. To suit multipoint locks with 70mm centres. Levers and backplate are supplied separately for ease of stock holding and therefore are non-handed. Grub screw supplied. Brass lever and backplate.

Available in : Polished Brass F77

HOPPE 554/3360N/1710RH Lever/Fixed Pad Handle Set

Lever / fixed pad furniture set to suit multipoint locks with 92mm Cylinder Centres

-Hoppe aluminium lever set on backplate for exterior doors Tokyo Series. To suit multipoint locks with 92mm centres. The unsprung levers are fixed to the backplate and by design are fully reversible. Fixing lugs are supplied on both back plates for a secure fit. Aluminium levers and backplate. Also available as half sets, without keyholes, with keyholes 92mm pz, or with blank outer plates, no keyhole or lever blind.

Available in : Silver F1
Gold F3
White F9016
Black F9714



Resista®
10 years' surface
guarantee



Rodos Series

Phoenix Series

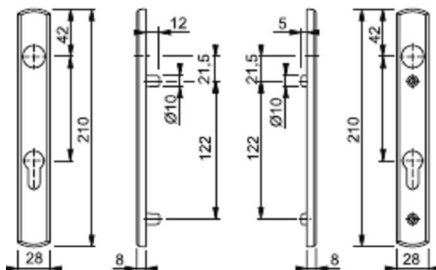
Athinai Series



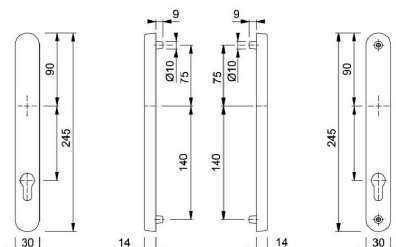
Bergen Series

Capri Series

Munchen Series



M200LM Backplate



3841N Backplate

**HOPPE DESIGNER Lever/Lever
HANDLE SET**

**Lever furniture set to suit multipoint locks with 92mm
Cylinder Centres**

-Hoppe brass lever set on backplate for exterior doors designer series. To suit multipoint locks with 92mm cylinder centres. Supplied separately, the levers are non handed for ease of stockholding and can be fixed to the door with the grub screws supplied.

Backplates Available:

- M200LM (F49) Polished Chrome
- M200LM (F77R) Polished Brass
- 3841 (F49) Polished Chrome
- 3841 (F77R) Polished Brass

Available in :

- Rodos (F49) Polished Chrome
- Rodos (F77R) Polished Brass
- Phoenix (F49/F69) Polished Chrome/ Satin Chrome
- Phoenix (F77/F49) Polished Brass/Polished Chrome
- Phoenix (F77R/F52R) Polished Brass/ Satin Brass
- Athinai (F49/F69) Polished Chrome/ Satin Chrome
- Athinai (F77/F49) Polished Brass/Polished Chrome
- Bergen (F49/F69) Polished Chrome/ Satin Chrome
- Bergen (F77/F49) Polished Brass/Polished Chrome
- Bergen (F77R/F52R) Polished Brass/ Satin Brass
- Capri (F49/F69) Polished Chrome/ Satin Chrome
- Capri (F77/F49) Polished Brass/Polished Chrome
- Munchen (F49) Polished Chrome
- Munchen (F77R) Polished Brass



The new Sparta Espag Handle offer an attractive looking product designed with a soft grip insert giving an improved comfort and feel during use. Available as Inline or Cranked, for improved hand clearance, the window handles have been manufactured to an extremely high standard with outstanding product performance

Key Product Features

- Ergonomic soft grip and improved aesthetics.
- Push to open, key lockable.
- Non-locking egress option.
- Available inline or cranked versions.
- BBA Accredited.
- Available in a full choice of finishes which includes Gold (PVD), Polished Chrome, Satin Chrome and White (Other finishes available upon request).

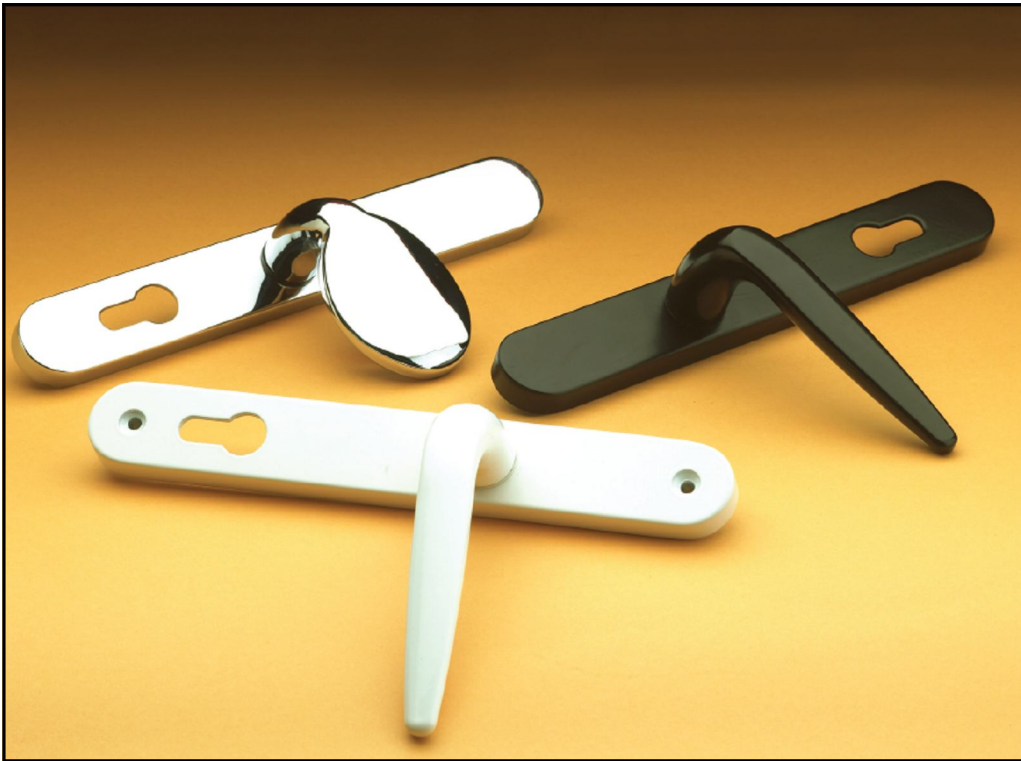


Testing And Accreditation

The Sparta handle has achieved the following accreditations:
Corrosion resistance on all finishes to BS EN 1670 Grade 4.
Endurance tested to ES2-04.
Abusive load tested to BS6462.
BBA accredited certificate number 2769.

Product Material Specifications

Zinc die cast components - ZA2 with Zinc passivate plus finish.
Plastic parts are Nylon 66, UV stabilised ABS and ACETAL.



The new Sparta Door Handle offer an attractive looking product design. The Handle offers an ergonomic soft grip feature with no compromise on grip length. The Sparta door handle has been manufactured to an extremely high standard which offers outstanding product performance.

Key Product Features

- Substantial Ergonomic design with sleek Sparta aesthetics.
- Suited to the Sparta espag handle and Tilt & Turn handles.
- Available in a full choice of finishes which includes Gold (PVD), Polished Chrome, White and Black.
(Other finishes available upon request).
- Different back plate variants available to suit most locks
- Supplied complete with spring cassette and fixing screws.
- Lever Lever and Lever Pad options available.
- Available in Short and Long Backplate versions.



Testing And Accreditation

The Sparta handle has achieved the following accreditations:
Corrosion resistance on all finishes to BS EN 1670 Grade 4.
Endurance tested to ES2-04.
Abusive load tested to BS6462.

Product Material Specifications

Zinc die cast components - ZA2 .
Plastic parts are Nylon 66.
Door Thickness 58-70mm.
Cylinder aperture - Standard Euro Cylinder.



The new Sparta Tilt and Turn Handle offer an attractive looking product design. The grip feature gives Increased hand clearance and incorporates an ergonomic soft grip insert giving improved comfort and feel during use. The Sparta Tilt and Turn has been manufactured to an extremely high standard giving outstanding products performance.

Key Product Features

- Ergonomic soft grip feature and improved aesthetics.
- Push to open, key lockable.
- Non-locking egress option.
- Suited to both the Sparta espag handle and Sparta door handle.
- Available in a full choice of finishes which includes Gold (PVD), Polished Chrome and White. (other finishes available upon request).



Testing And Accreditation

Corrosion resistance on all finishes to BS EN 1670 Grade 4.
Endurance tested to ES2-04.
Abusive load tested to BS6462.

Product Material Specifications

Base Grip - Zinc Alloy.
Button and Mechanism - Nylon 66 and Acetol.



The new Sparta Tilt and Turn Handle offer an attractive looking product design. The grip feature gives Increased hand clearance and incorporates an ergonomic soft grip insert giving improved comfort and feel during use. The Sparta Tilt and Turn has been manufactured to and extremely high standard giving outstanding products performance.

Key Product Features

- Ergonomic stylish design and improved aesthetics.
- Push to open, key lockable.
- Non-locking egress option.
- 3 locking nib height options 9mm, 15.5mm and 21mm.
- 3 locking wedge height options - 2.5mm, 4mm and 5mm.
- Available in a full choice of finishes which includes Gold (PVD), Polished Chrome and White. (other finishes available upon request).

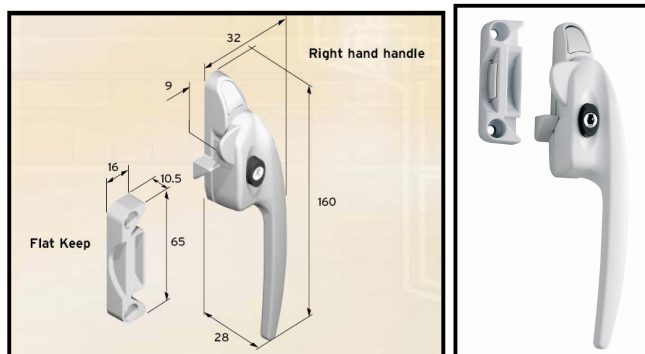


Testing And Accreditation

The Cockspur handle has achieved the following accreditations:
Corrosion resistance on all finishes to BS EN 1670 Grade 4.
Endurance tested to ES2-04.
Abusive load tested to BS6462.

Product Material Specifications

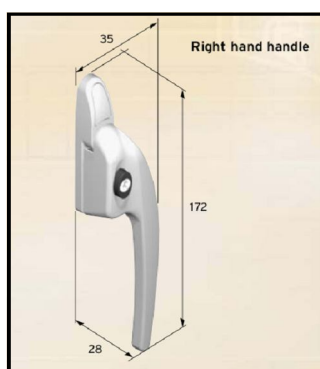
Zinc die cast components - ZA2 with Zinc passivate plus finish.
Plastic parts are Nylon 66, UV stabilised ABS and ACETAL.



TITON SELECT COCKSPUR HANDLE

Code : TF1200 RIGHT HAND AND LEFT HAND

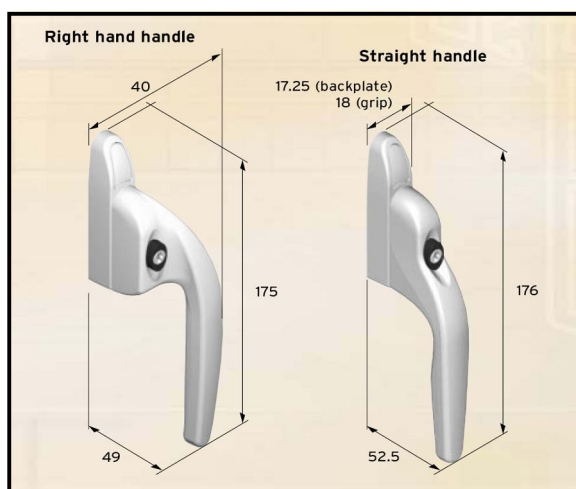
- Specifically designed for timber windows.
- Minimal projection for ease of window staking.
- Smooth handle lead-in action and streamlined design.
- Unique lead-in on handle nose.
- Section related non-handed narrow edge.
- Handle incorporates sash lift.



TITON SELECT COMPACT ESPAG HANDLE

Code : TF1300 RIGHT HAND AND LEFT HAND

- Suitable for timber or PVCu windows.
- 28mm handle stack height for ease of window transit.
- Unique compact design.
- Locking, non-locking or Fire Escape versions.
- Smooth handle lead-in action and streamlined design.
- Non standard spindle sizes available on request



TITON SELECT ESPAG HANDLE

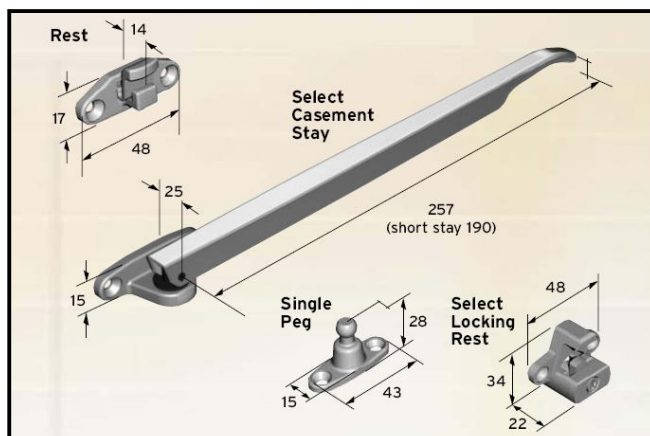
Code : TF1200 RIGHT HAND ,LEFT HAND & INLINE

- Suitable for timber or PVCu windows.
- Available in Straight or Handed versions.
- Locking, non-locking or Fire Escape versions.
- Ideal for larger sashes, fully reversible or pivot windows.
- Ergonomic grip for ease of operation on limited access environments'.
- Non standard spindle sizes available on request

TITON SELECT CASEMENT STAY

Code : TR51 Long Stay or TR61 Short Stay

- Stay non-handed.
- Locking or non-locking stay versions.
- Integral stay clip.
- Stay available in short version for narrow sashes.
- Handle and stay use identical lock and key.



- Available in :
- Brown
 - White
 - Silver/Grey
 - Albralin Gold
 - Satin Chrome
 - Bright Nickel